

Quick start guide



NVIP-5VE-4402/F

noVus[®]

IMPORTANT SAFEGUARDS AND WARNINGS

EMC (2014/30/UE) and LVD (2014/35/UE) Directives

CE Marking



Our products are manufactured to comply with the requirements of the following directives and national regulations implementing the directives:

- Electromagnetic compatibility EMC 2014/30/UE.
- Low voltage LVD 2014/35/EC with further amendment. The Directive applies to electrical equipment designed for use with a voltage rating of between 50VAC and 1000VAC as well as 75VDC and 1500VDC.

eng

WEEE Directive 2012/19/UE

Information on Disposal for Users of Waste Electrical and Electronic Equipment



This appliance is marked according to the European Directive on Waste Electrical and Electronic Equipment (2012/19/UE) and further amendments. By ensuring this product is disposed of correctly, you will help to prevent potential negative consequences for the environment and human health, which could otherwise be caused by inappropriate waste handling of this product.

The symbol on the product, or the documents accompanying the product, indicates that this appliance may not be treated as household waste. It shall be handed over to the applicable collection point for used up electrical and electronic equipment for recycling purpose. For more information about recycling of this product, please contact your local authorities, your household waste disposal service or the shop where you purchased the product.

RoHS Directive 2011/65/UE

Information concerning the restriction of use of hazardous substances in electrical electronic equipment.



Out of concern for human health protection and friendly environment, we assure that our products falling under RoHS Directive regulations, regarding the restriction of the use of hazardous substances in electrical and electronic equipment, have been designed and manufactured in compliance with the above mentioned regulations. Simultaneously, we claim that our products have been tested and do not contain hazardous substances whose exceeding limits could have negative impact on human health or natural environment.

Information

The device, as a part of professional CCTV system used for surveillance and control, is not designed for self installation in households by individuals without technical knowledge.

Excluding of responsibility in case of damaging data on a disk or other devices:

The manufacturer does not bear any responsibility in case of damaging or losing data on a disk or other devices during device operation.

WARNING!



PRIOR TO UNDERTAKING ANY ACTION THAT IS NOT DESCRIBED FOR THE GIVEN PRODUCT IN USER'S MANUAL AND OTHER DOCUMENTS DELIVERED WITH THE PRODUCT, OR IF IT DOES NOT ARISE FROM THE USUAL APPLICATION OF THE PRODUCT, MANUFACTURER MUST BE CONTACTED UNDER THE RIGOR OF EXCLUDING THE MANUFACTURER'S RESPONSIBILITY FOR THE RESULTS OF SUCH AN ACTION.

IMPORTANT SAFEGUARDS AND WARNINGS

WARNING!

THE KNOWLEDGE OF THIS MANUAL IS AN INDESPENSIBLE CONDITION OF A PROPER DEVICE OPERATION. YOU ARE KINDLY REQUESTED TO FAMILIRIZE YOURSELF WITH THE MANUAL PRIOR TO INSTALLATION AND FURTHER DEVICE OPERATION.

WARNING!

USER IS NOT ALLOWED TO DISASSEMBLE THE CASING AS THERE ARE NO USER-SERVICEABLE PARTS INSIDE THIS UNIT. ONLY AUTHORIZED SERVICE PERSONNEL MAY OPEN THE UNIT.

INSTALLATION AND SERVICING SHOULD ONLY BE DONE BY QUALIFIED SERVICE PERSONNEL AND SHOULD CONFORM TO ALL LOCAL REGULATIONS.

IMPORTANT SAFEGUARDS AND WARNINGS

1. Prior to undertaking any action please consult the following manual and read all the safety and operating instructions before starting the device.
2. Please keep this manual for the lifespan of the device in case referring to the contents of this manual is necessary;
3. All the safety precautions referred to in this manual should be strictly followed, as they have a direct influence on user's safety and durability and reliability of the device;
4. All actions conducted by the servicemen and users must be accomplished in accordance with the user's manual;
5. The device should be disconnected from power sources during maintenance procedures;
6. Usage of additional devices and components neither provided nor recommended by the producer is forbidden;
7. Mounting the device in places where proper ventilation cannot be provided (e. g. closed lockers etc.) is not recommended since it may lead to heat build-up and damaging the device itself as a consequence;
8. Mounting the camera on unstable surface or using not recommended mounts is forbidden. Improperly mounted camera may cause a fatal accident or may be seriously damaged itself. The camera must be mounted by qualified personnel with proper authorization, in accordance with this user's manual.
9. Device should be supplied only from a power sources whose parameters are in accordance with those specified by the producer in the camera technical datasheet. Therefore, it is forbidden to supply the camera from a power sources with unknown parameters, unstable or not meeting producer's requirements;
10. Signal cables (conducting TV or / and telemetric signal) should be placed in a way excluding the possibility of damaging them by accident. Special attention must be paid to cables getting from the camera and connecting the power supply;
11. To avoid equipment damage, whole TV circuit should be equipped with properly made discharge-, overload- and lightning protection devices. Usage of separating transformers is advised;
12. Electric installation supplying the device should be designed to meet the specifications given by the producer in such a way that overloading is impossible;
13. User cannot repair or upgrade the equipment himself. All maintenance actions and repairs should be conducted only by qualified service personnel;
14. Unplug the camera from the power source immediately and contact the proper maintenance department when the following occurs:
 - Damages to the power cord or to the plug itself;
 - Liquids getting inside the device or exposure to strong mechanical shock;
 - Device behaves in a way not described in the manual and all adjustments approved by the manufacturer and possible to apply by user himself, seem not to have any effect;
 - Camera or its casing is damaged;
 - Atypical behaviour of the camera components can be seen (heard).
15. In necessity of repairs attention to using only original replacement parts (with their parameters in accordance with those specified by the producer) should be paid. Non-licensed service and non-genuine replacement parts may cause fire or electric shock.

TABLE OF CONTENTS

TABLE OF CONTENTS	4
1. FOREWORD INFORMATION	5
1.1. General characteristics.....	5
1.2. Technical specification	6
1.3. Camera dimension	7
1.4. Package contents.....	7
2. START-UP AND INITIAL IP CAMERA CONFIGURATION	8
2.1. Description of connectors.....	8
2.2. Power supply connection.....	9
2.3. Connecting ethernet cable	9
2.4. Camera mounting	10
2.5. Starting the camera	11
2.6. Initial configuration via web browser.....	12
2.7. Security recommendations for network architecture and configuration.....	13
3. NETWORK CONNECTION UTILIZING WEB BROWSER	14
3.1. Recommended PC specification for web browser	14
3.2. Connection with IP camera via web browser.....	14
4. USING AND CONFIGURING	16
4.1. Remote Preview Interface.....	16
5. ELECTRIC CONNECTORS	18
5.1. Connecting of the alarm input.....	18
5.2. Connecting of the alarm output.....	18
6. RESTORING FACTORY DEFAULTS	18
6.1. Software factory reset.....	18
6.1. Hardware factory reset	18

FOREWORD INFORMATION

1. FOREWORD INFORMATION

1.1. General Characteristics

- Sensor resolution: 5 megapixels
- Mechanical IR cut filter, IR operation capability
- Min. Illumination from 0 lx with IR LED on
- Wide Dynamic Range (WDR) for enhanced image quality in diverse light conditions
- Digital Noise Reduction (DNR)
- Lens with remote focal and focus control, $f=2.7 \sim 12\text{mm}/F=1.6$
- Built-in LED illuminator: 40 pcs LED
- Compression of video stream: H.264/H265
- Max video processing resolution: 2592 x 1944
- Multi streaming: three independently configurable streams
- Stream parameters: compression, resolution, speed and quality defined individually for each video stream
- RTP/RTSP protocol support for video transmission
- Two-way audio transmission
- Compression of audio stream: G.711, G.726, ADPCM
- Alarm input and output
- Hardware motion detection
- Hardware sabotage detection (lens shade)
- Built-in webserver: camera configuration through the website
- Wide range of responses to alarm events: e-mail with attachment, saving file on FTP server, activation of alarm output
- Advanced image analysis functions
- Four privacy zones
- Eight definable Region of Interest
- Power supply: 12VDC, PoE (Power over Ethernet 802.3af)

Information

Depending on the type of recorder/registration system, the range of features and options may vary. Full list of camera functionality available from a given type of recorder is included in the compatibility table on www.novuscctv.com/en

Information!

The manufacturer reserves the right to printing errors and technical specifications changes without prior notice.

FOREWORD INFORMATION

1.2. Technical specification

IMAGE	
Image Sensor	5 MPX CMOS sensor 1/2.8" SONY STARVIS
Number of Effective Pixels	2616 (H) x 1964 (V)
Min. Illumination	0.01 lx/F1.2 - color mode, 0 lx (IR on) - B/W mode
Electronic Shutter	auto/manual: 1/5 s ~ 1/20000 s
Digital Slow Shutter (DSS)	up to 1/5 s
Wide Dynamic Range (WDR)	yes (double scan sensor), 120dB
Digital Noise Reduction (DNR)	2D, 3D
Defog Function (F-DNR)	yes
Highlight Compensation (HLC)	yes
Back Light Compensation (BLC)	yes
LENS	
Lens Type	varifocal, f=2.7 ~ 12 mm/F1.6
DAY/NIGHT	
Switching Type	mechanical IR cut filter
Switching Mode	auto, manual, time
Switching Delay	1 ~ 36 s
Visible Light Sensor	yes
NETWORK	
Stream Resolution	2592 x 1944, 2592 x 1520, 2304 x 1296, 2048 x 1536 (QXGA), 1920 x 1080 (Full HD), 1280 x 960, 1280 x 720 (HD), 640 x 480 (VGA), 320 x 240 (QVGA)
Frame Rate	30 fps for each resolution
Multistreaming Mode	3 streams
Video/Audio Compression	H.264, H.265/G.711, G.726, ADPCM
Number of Simultaneous Connections	max. 6
Bandwidth	64 Mb/s in total
Network Protocols Support	HTTP, TCP/IP, IPv4, FTP, DHCP, DNS, DDNS, NTP, RTSP, RTP, UPnP, SMTP
ONVIF Protocol Support	Profile S/G
Camera Configuration	from Internet Explorer browser languages: Polish, English, Russian, and others
Compatible Software	NMS
Mobile applications	RxCamView (iPhone, Android)
OTHER FUNCTIONS	
Privacy Zones	4
Motion Detection	yes
Region of interest (ROI)	8
Audio Detection	yes

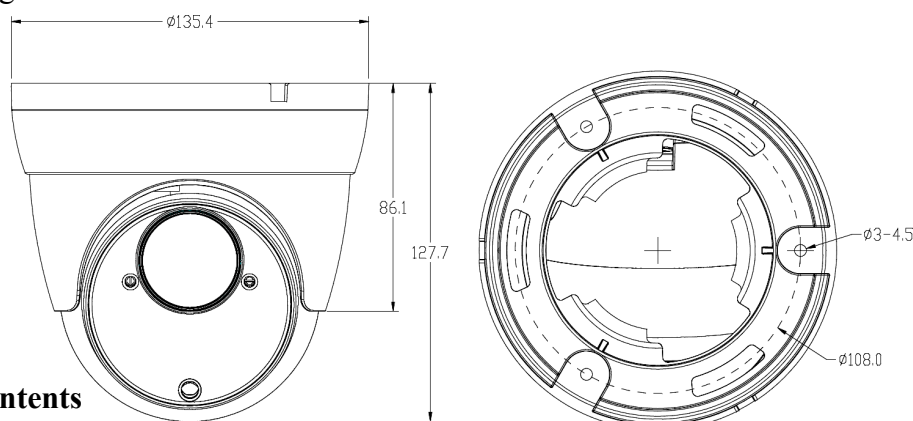
FOREWORD INFORMATION

Video Content Analysis (VCA)	tamper, abandoned object, object disappearance, line cross, zone entrance, face detection, pedestrian detection, cross counting, face
Image Processing	180° image rotation, corridor mode, vertical flip, horizontal flip
System Reaction to Alarm Events	e-mail with attachment, saving file on FTP server, alarm output activation
IR LED	
LED Number	40
Range	45 m
Angle	120°
Smart IR	yes (software support)
INTERFACES	
Audio Input/Output	1 x RCA/1 x RCA
Alarm Input/Output	1 (NO/NC)/1
Network Interface	1 x Ethernet - RJ-45 interface, 10/100 Mbit/s
INSTALLATION PARAMETERS	
Dimensions (mm)	135 (Φ) x 128 (H)
Weight	0.7 kg
Degree of Protection	IP 66 (details in the user's manual)
Enclosure	vandalproof aluminium, white
Power Supply	PoE, 12 VDC
Surge protection	TVS 4000 V
Power Consumption	2 W, 6 W (IR on)
Operating Temperature	-30°C ~ 55°C

eng

1.3. Camera dimensions

Dimensions are given in millimeters

**1.4. Package contents**

After you open the package make sure that the following elements are inside:

- IP camera
- Accessories bag
- Quick start guide

START-UP AND INITIAL CAMERA CONFIGURATION

CAUTION!

If the device was brought from a location with lower temperature, please wait until it reaches the temperature of location it is currently in. Turning the device on immediately after bringing it from a location with lower ambient temperature is forbidden, as the condensing water vapour may cause short-circuits and damage the device as a result.

Before starting the device familiarize yourself with the description and the role of particular inputs, outputs and adjusting elements that the device is equipped with.

2. START-UP AND INITIAL CAMERA CONFIGURATION

2.1. Description of connectors

1. Audio line in

2. Audio line out

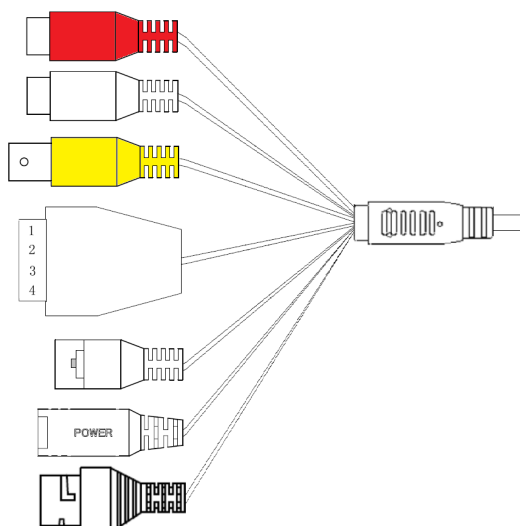
3. CVBS video output

4. Alarm input/output block

5. Reset button

6. 12VDC power supply connector

7. 100 Mbps Ethernet port

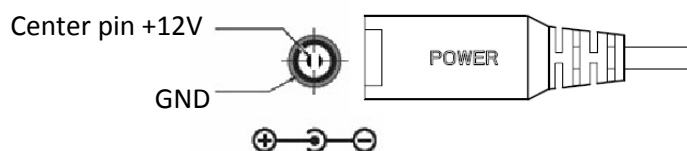


Nr	Typ złącza/Kolor	Funkcja	Opis
1	RCA socket, red	Audio line in	For connecting external audio devices
2	RCA socket, white	Audio line out	For connecting external audio devices
3	BNC socket, white	Video output	CVBS video output
4	ARK screw terminal block	1. Alarm input A	Alarm input, configurable: NC or NO
		2. Alarm input B	
		3. Alarm output A	Alarm output, NO (relay, 12VDC/24VAC 0.3A max)
		4. Alarm output B	
5	-	RESET button	Button to restore factory settings
6	DC2,5/5,5 socket	Power connector	Power supply, 12VDC \pm 10%
7	RJ45 socket, white	Port Ethernet	100Mbps Ethernet connector

START-UP AND INITIAL IP CAMERA CONFIGURATION

2.2. Power supply connection

When powering the camcorder from an external 12VDC power supply, make sure it has the correct settings and that the power supply connector has the correct polarity. Using an incorrect power supply may result in malfunction or damage.



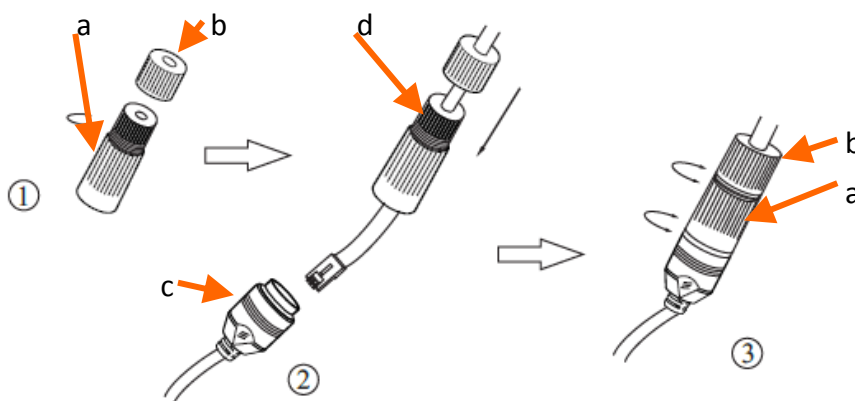
The camera can also be powered via an RJ45 network connector, using PoE (IEEE 802.3af) technology. Please, use a network switch or an IEEE 802.3af compliant PoE power supply to power the camera through the PoE.

CAUTION!

It is forbidden to use – as the camera power source – PoE equipment (adapters, etc.) not compatible with IEEE 802.3af standard (items called “passive PoE power supply”). Damages that results from the usage of improper power supply source are not covered by the warranty.

2.3. Connecting ethernet cable

To maintain tightness of ethernet cable connection, please follow instruction below:



1. Unscrew the nut (b) from the connector cover (a), mount the sealing ring on the socket (c)
2. Route the network cable through the components (a) and (b). Plug the RJ-45 connector into the socket (c)
3. Screw the connector cover (a) on the socket (c). Inside the upper part of the connector cover (a) push in to the stop the seal of the cable (d) - the seal is cut to insert on the network cable.
4. Tighten up to the stop nut (b)

WARNING!

Other connectors and sockets, outside of the RJ-45 socket, are not hermetically sealed. User should seal this connector by himself.

START-UP AND INITIAL IP CAMERA CONFIGURATION

2.4. Camera mounting

To mount a camera please follow the instructions below:

- Unscrew the locking ring (A) by turning it counter-clockwise
- Remove the camera cover (B), remove the camera from the base
- Put the bracket or mounting template to the wall in a desired mounting place (with cable hole). Taking the bracket's base screw holes as a pattern, mark future drilling holes for screws.
- Drill holes in accordance with previously done markings and base hole placement.
- Mount the camera base using the supplied plugs and screws.
- Connect the camera cables, put camera on the base, attach the cover (B) and pre-tighten the locking ring (A)
- Adjust camera position, fully screw the locking ring (A)
- Make adjustments to the camera using the on-screen menu (see chapter 4)



WARNING!

Please note that the wall or ceiling must have enough strength to support the IP Camera.

WARNING!

The declared degree of protection of the camera relates to its housing and does not take into account the possibility of moisture infiltration into the interior of the camera by connecting cables. Connection cables protection through i.e. sealing up is the responsibility of the camera installer. The manufacturer is not liable for any damages to the camera caused as a result of failing in performing that activity by installer, which also means that camera damaged in that way is not subject to warranty repairs.



The camera is equipped with a face recognition function which, in addition to proper configuration, requires the camera to be installed in the right way and to ensure proper working conditions. Before installing the camera, please read the instructions in the "Installation Tips" manual, available for download on the product page.

START-UP AND INITIAL CAMERA CONFIGURATION

2.5. Starting the IP camera

To run NOVUS IP camera you have to connect ethernet cable between camera and network switch.

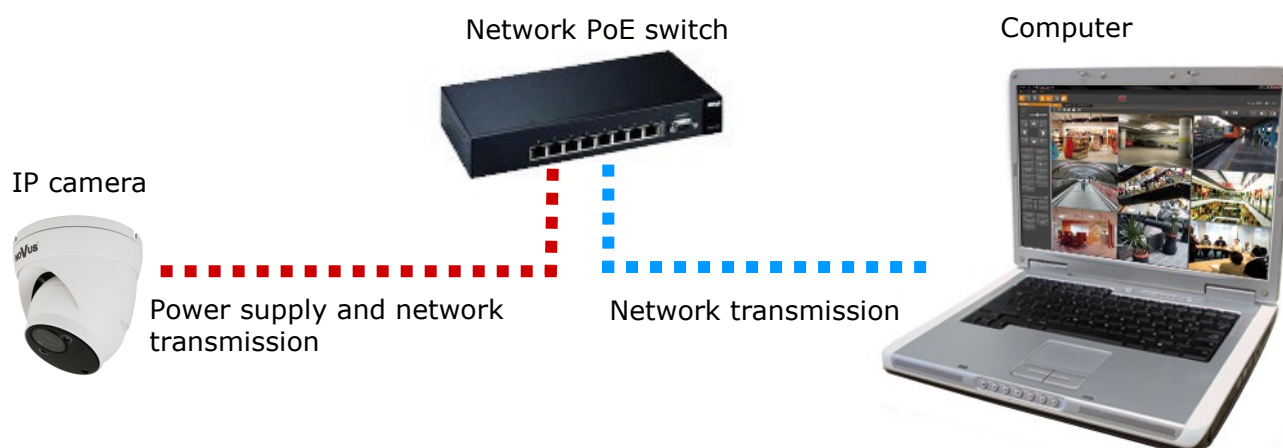
To power it up you can connect it directly via power supply adapter with parameters compatible with camera power supply specification, or camera can be powered with PoE (IEEE 802.3af) compatible switch.

After connecting power supply it takes about 30 seconds to start camera. Then You can proceed to connect to the camera via web browser.

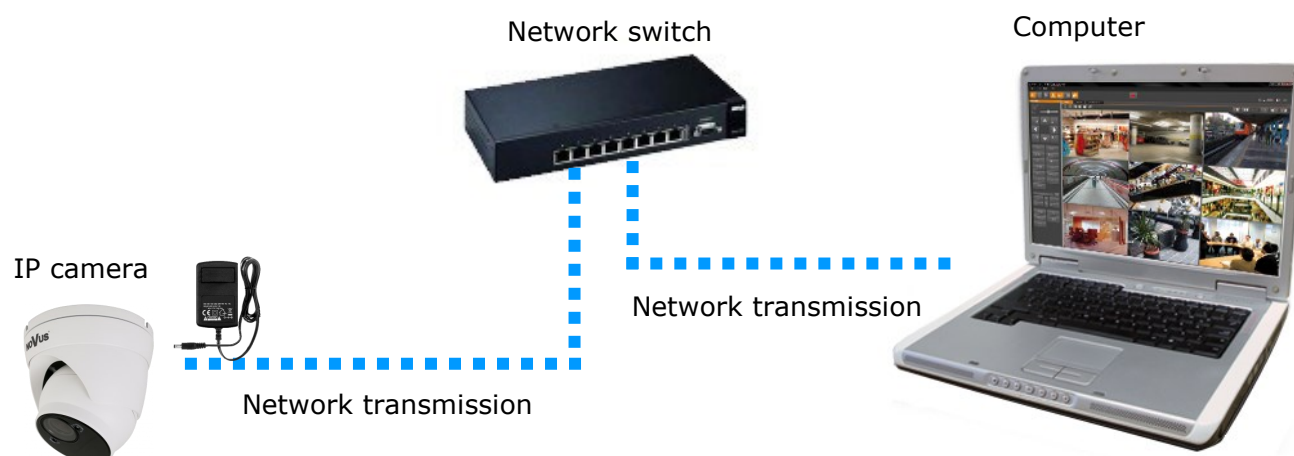
The recommended way to start an IP camera and perform its configuration is a connection directly to the network switch which is not connected to other devices. To obtain further information about network configuration parameters (IP address, gateway, network mask, etc.) please contact your network administrator.

eng

- Connection utilising network switch with PoE support

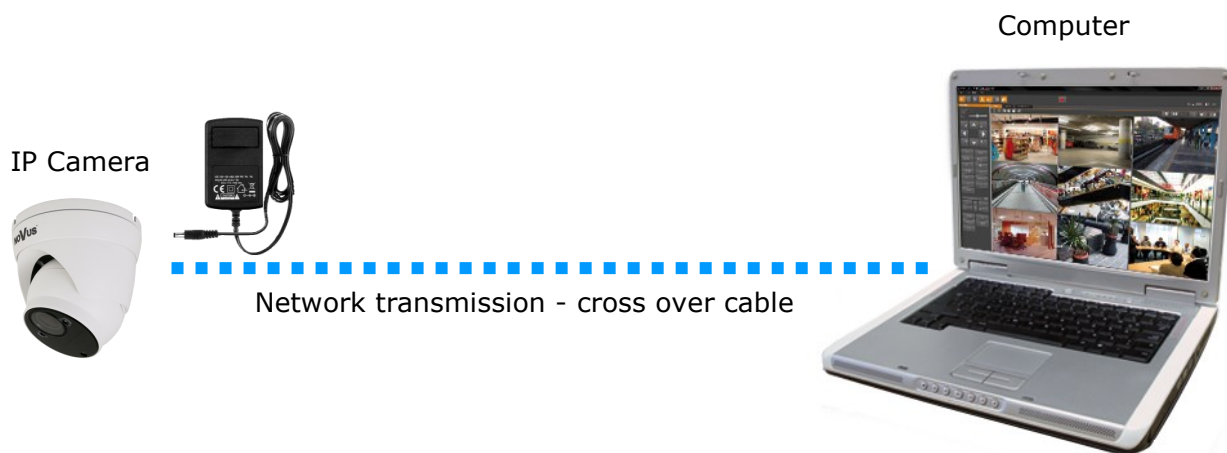


- Connection utilising external power supply and network switch



START-UP AND INITIAL CAMERA CONFIGURATION

- Connection utilising external power supply directly to the computer



2.6. Initial configuration via the web browser

The default network settings for the camera are:

1. IP address= **192.168.1.200**
2. Network mask - **255.255.255.0**
3. Gateway - **192.168.1.1**
4. User name - **root**
5. Password - **pass**

Knowing the camera's IP address you need to appropriately set PC IP address, so the two devices can operate in one network subnet (e.g. for IP 192.168.1.1, appropriate address for the camera ranges from 192.168.1.2 to 192.168.1.254, for example 192.168.1.60). It is not allowed to set the same addresses for camera and PC computer

You can either set a network configuration (IP address, gateway, net mask, etc.) of NOVUS IP camera yourself or select DHCP mode (DHCP server is required in this method in target network) by using web browser or by NMS software. When you use DHCP server check IP address lease and its linking with camera MAC address to avoid changing or losing IP address during device operation or network/DHCP server breakdown. You have to remember to use a new camera IP address after changing network parameters.

After network setting configuration has been done, the camera can be connected to a target network.

START-UP AND INITIAL CAMERA CONFIGURATION

2.7. Security recommendations for network architecture and configuration

WARNING!

Below are shown security recommendations for network architecture and configuration of CCTV systems that are connected to the Internet to reduce the risk of unauthorized interference with the system by a third party.

1. Absolutely change the default passwords and user names (if the device gives this possibility) of all applied network devices (recorders, cameras, routers, network switches, etc.) to the severely complexity password. Use lowercase and uppercase letters, numbers, and special characters if there is such possibility.
2. Depending on the available functionality in the order to restrict access to the used network devices at the administrator account level, it is recommended to configure the users accounts accordingly.
3. Do not use DMZ function (Demilitarized zone) in your router. Using that function you open the access to recorder system from the Internet on all ports, which gives possibility for an unauthorized interference with the system.

Instead of DMZ use port forwarding redirect only the ports which are necessary for the performance of the connection (detailed information about ports of communication in different models of recorders, cameras, etc. can be found in the operating instructions).

4. Use routers with firewall function and make sure it is enabled and properly configured.
5. It is recommended to change the default network communication port numbers of used devices if there is such possibility.
6. If used network devices has a UPnP feature and it is not used, turn it off.
7. If used network devices has a P2P feature and it is not used, turn it off.
8. If used network devices support HTTPS protocol for connection, it is recommended to use it.
9. If used network devices support IP filtering for authorized connections function, it is recommended to use it.
10. If used recorder has two network interfaces it is recommended to use both of them to physically separate network for cameras and network for Internet connection. The only device in the system, accessible from Internet will be recorder - there will be no physically access directly to any camera.

NETWORK CONNECTION UTILIZING WEB BROWSER

3. NETWORK CONNECTION USING WEB BROWSER

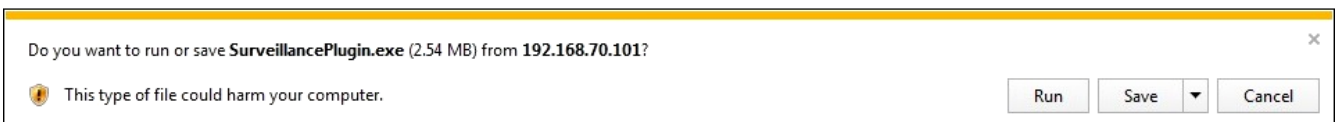
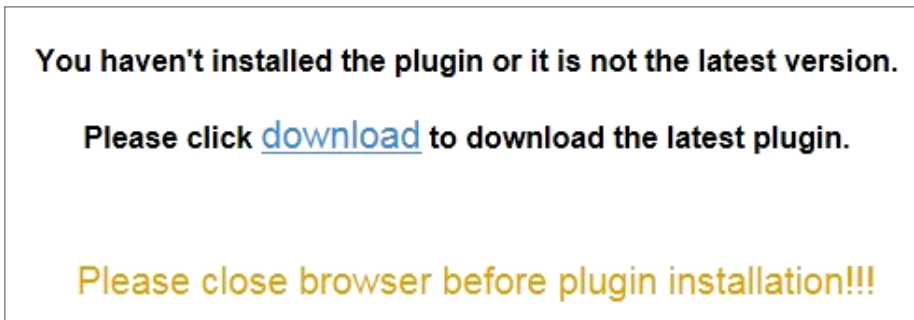
3.1. Recommended PC specification for web browser connections

Requirements below apply to connection with an IP camera, assuming smooth image display in 2592 x 1944 resolution and 30 fps speed.

1. CPU **Intel Core i3 3GHz** or newer
2. **RAM** Memory min. **4 GB**
3. Graphic card **NVIDIA GeForce 1 GHz**
4. OS **Windows VISTA / 7 / 8**
5. Network card **10/100/1000 Mb/s**

3.2. Connection with IP camera via web browser

You have to enter camera IP address in the address bar. When you connect to the camera, web browser will download the applet for displaying images from the camera. In Internet Explorer before the first logon you need to install “*SurveillancePlugin.exe*” addition. To do this, please click on the link “*Download*” and when you get the download window, click “*Run*” button.



When the addition installer window appears, temporarily close the browser and click “*Install*” button. After installation, launch a web browser and connect to the camera.

NETWORK CONNECTION UTILIZING WEB BROWSER

If the installation fails, changing security settings for the IE browser is required. In order to do that, please choose: *Tools > Internet options > Security tab > Custom level* and:

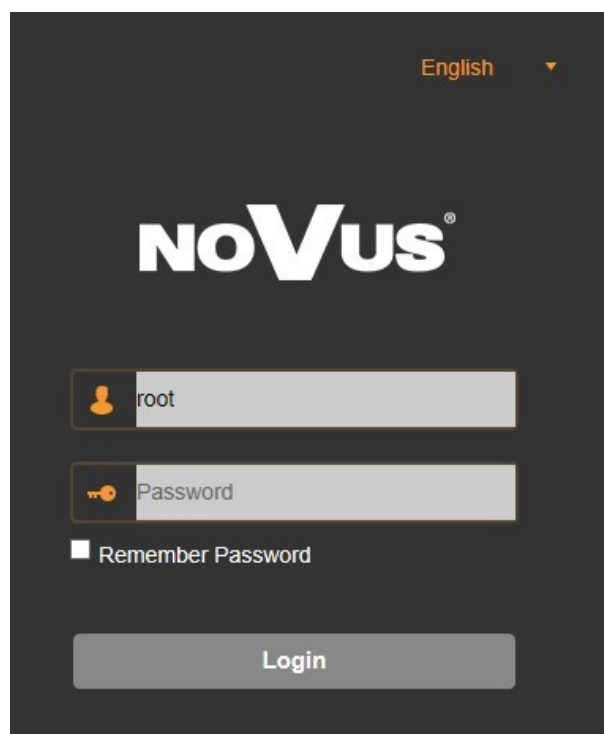
- Under *Download unsigned ActiveX controls* - select either Enable or Prompt
- Under *Initialize and script ActiveX controls not marked as safe* - select Enable or Prompt

You can also add the camera's IP address to "trusted zone" and set lowest security level for it.

In addition, when working in Windows Vista/7/8 the ActiveX applet may be blocked by Windows Defender or User account control. In such case you should allow to run this applet, or simply disable these functions.

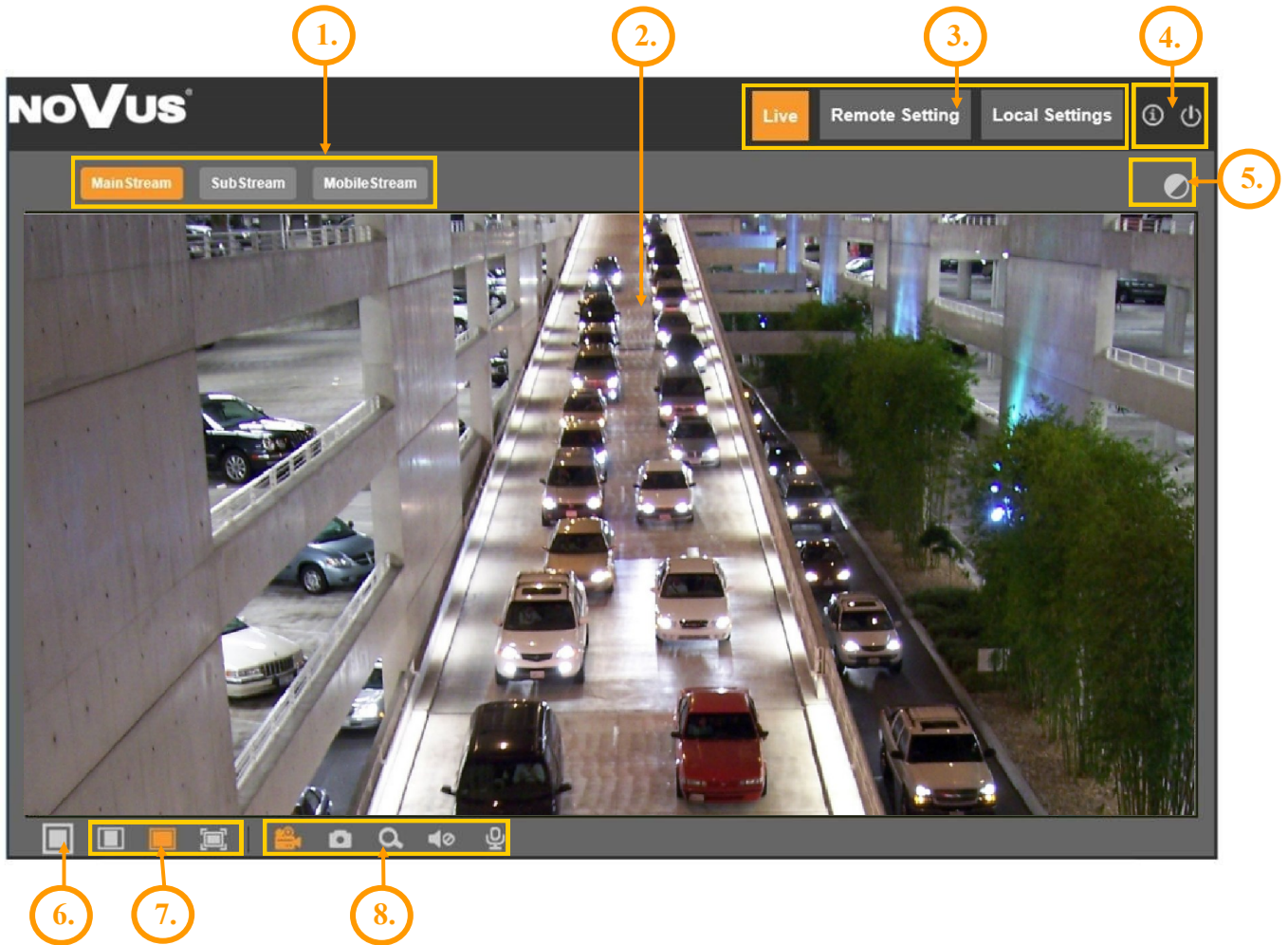
When the addition is installed it will be possible to log into the camera. On the login page, enter your login information. Here can also change the language of the camera interface can be maid.

For safety reasons, we recommend to change the default password and user name.



USING AND CONFIGURING

4. USING AND CONFIGURING



4.1. The Remote Preview Interface

1. The selection buttons to select the stream to be displayed in the Remote Preview window.

2. Live Preview window.

Double-clicking the left mouse button on the preview window enables and disables the display of the image on the full screen.

3. Buttons for selecting the operating mode and configure the camera:

Live - enables preview live stream

Remote Setting - displays the configuration panel camera

Local Setting - displays the configuration panel of paths to snapshots folders

4. Icon to access to the camera:



- displays information about the logged in user and the version of the applet

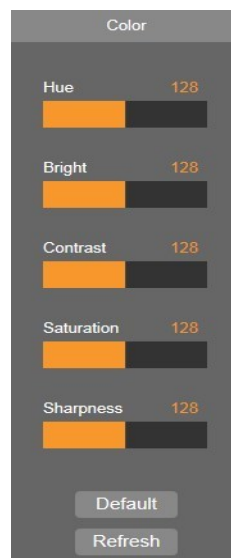


- logout from the camera

USING AND CONFIGURING

5. Enable/disable panel to set the image parameters:

The panel allows adjustment of image parameters such as hue, brightness, contrast, color saturation and sharpness.



eng

6. Enable/disable live preview

7. Buttons to set the size and aspect ratio



- sets the original aspect ratio



- fits the image to the browser window



- sets full screen

8. Additional features control icons:



- enables and disables enlarge the picture



- enables and disables the record a video stream on your computer



- performs a screenshot and saves on your computer



- displays the volume control slider

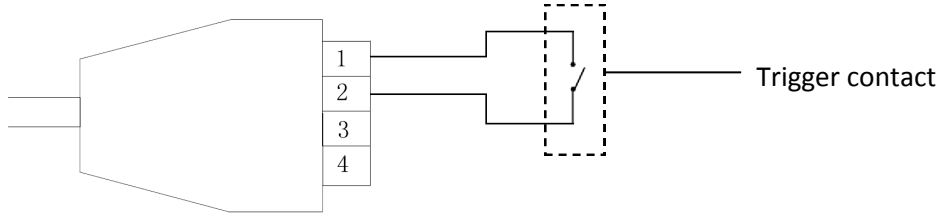


- enables and disables audio transmission

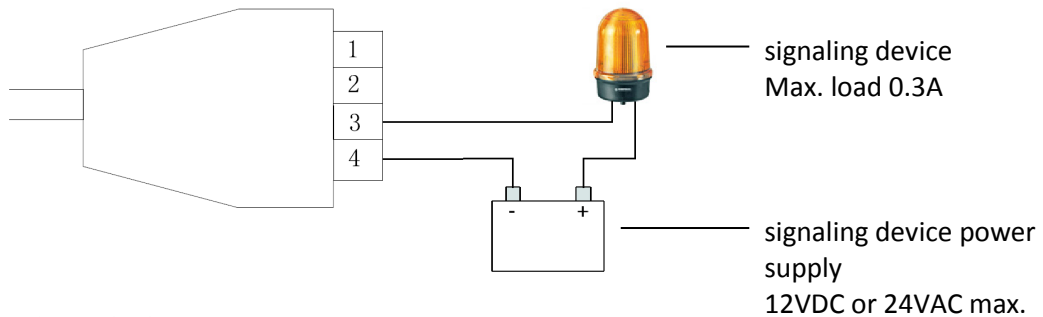
ELECTRIC CONNECTORS AND RESTORING FACTORY DEFAULTS

5. ELECTRIC CONNECTORS

5.1. Connecting of the alarm input.



5.1. Connecting of the alarm output.



6. RESTORING FACTORY DEFAULTS

6.1. Software restore to factory defaults

Camera allows to reset your settings to the factory values. To restore the camera settings to the default, go to the “*Load Default*” tab (Remote Setting -> Advanced -> Load Default). Then select options and functions of the camera whose settings are to be reset and press the “*Save*” button.

After about 30 seconds, you can reconnect to the camera (at the current IP address, as long as it was not reset network settings or on the default IP address).

Note: To make a software restore factory settings, you must be logged in as "root".

6.2 Hardware restore to factory defaults

You can use the RESET button located on the camera cable to reset the camera's settings. To reset the defaults using the RESET button, press and hold for about 5 seconds.

After about 30 seconds, you will be able to reconnect to the camera at the default IP address.

Information

A description of all functions of the camera is included in the full user manual, posted on the product page on www.novuscctv.com/en

noVus[®]

AAT Holding S.A.

431 Pulawska St., 02-801 Warsaw, Poland
tel.: +4822 546 07 00, fax: +4822 546 07 59
www.novuscctv.com

Skrócona instrukcja obsługi



NVIP-5VE-4402/F

noVus[®]

UWAGI I OSTRZEŻENIA

Dyrektywy EMC (2014/30/UE) i LVD (2014/35/UE)

Oznakowanie CE



Nasze produkty spełniają wymagania zawarte w dyrektywach oraz przepisach krajowych wprowadzających dyrektywy:

Kompatybilność elektromagnetyczna EMC 2014/30/UE.

Niskonapięciowa LVD 2014/35/UE. Dyrektywa ma zastosowanie do sprzętu elektrycznego przeznaczonego do użytkowania przy napięciu nominalnym od 50VAC do 1000VAC oraz od 75VDC do 1500VDC.

Dyrektywa WEEE 2012/19/UE

Informacja dla użytkowników o pozbywaniu się urządzeń elektrycznych i elektronicznych



Niniejszy produkt został oznakowany zgodnie z Dyrektywą WEEE (2012/65/UE) oraz późniejszymi zmianami, dotyczącą zużytego sprzętu elektrycznego i elektronicznego. Zapewniając prawidłowe złomowanie przyczyniają się Państwo do ograniczenia ryzyka wystąpienia negatywnego wpływu produktu na środowisko i zdrowie ludzi, które mogłoby zaistnieć w przypadku niewłaściwej utylizacji urządzenia.

Symbol umieszczony na produkcie lub dołączonych do niego dokumentach oznacza, że nasz produkt nie jest klasyfikowany jako odpad z gospodarstwa domowego. Urządzenie należy oddać do odpowiedniego punktu utylizacji odpadów w celu recyklingu. Aby uzyskać dodatkowe informacje dotyczące recyklingu niniejszego produktu należy skontaktować się z przedstawicielem władz lokalnych, dostawcą usług utylizacji odpadów lub sklepem, gdzie nabyto produkt.

Dyrektywa RoHS 2011/65/UE

Informacja dla użytkowników dotycząca ograniczenia użycia substancji niebezpiecznych w sprzęcie elektrycznym elektronicznym.



W trosce o ochronę zdrowia ludzi oraz przyjazne środowisko zapewniamy, że nasze produkty podlegające przepisom dyrektywy RoHS, dotyczącej użycia substancji niebezpiecznych w sprzęcie elektrycznym i elektronicznym, zostały zaprojektowane i wyprodukowane zgodnie z wymaganiami tej dyrektywy. Jednocześnie zapewniamy, że nasze produkty zostały przetestowane i nie zawierają substancji niebezpiecznych w ilościach mogących niekorzystnie wpływać na zdrowie człowieka lub środowisko naturalne.

Informacja

Urządzenie, jako element profesjonalnego systemu telewizji dozorowej służącego do nadzoru i kontroli, nie jest przeznaczone do samodzielnego montażu w gospodarstwach domowych przez osoby nie posiadające specjalistycznej wiedzy.

Wyłączenie odpowiedzialności w przypadku uszkodzenia danych zawartych na dysku lub innych urządzeniach:

Producent nie ponosi odpowiedzialności w razie uszkodzenia lub utraty w trakcie eksploatacji Produktu danych zawartych na dyskach lub innych urządzeniach.



Obowiązek konsultowania się z Producentem przed wykonaniem czynności nieprzewidzianej instrukcją obsługi albo innymi dokumentami:

Przed wykonaniem czynności, która nie jest przewidziana dla danego Produktu w instrukcji obsługi, innych dokumentach dołączonych do Produktu lub nie wynika ze zwykłego przeznaczenia Produktu, należy, pod rygorem wyłączenia odpowiedzialności Producenta za następstwa takiej czynności, skontaktować się z Producentem.

WARUNKI BEZPIECZEŃSTWA

UWAGA!

ZNAJOMOŚĆ NINIEJSZEJ INSTRUKCJI JEST NIEZBĘDNYM WARUNKIEM PRAWIDŁOWEJ EKSPLOATACJI URZĄDZENIA. PROSIMY O ZAPOZNANIE SIĘ Z NIĄ PRZED PRZYSTĄPIENIEM DO INSTALACJI I OBSŁUGI KAMERY.

UWAGA !

NIE WOLNO SAMODZIELNIE OTWIERAĆ OBUDOWY URZĄDZENIA I DOKONYWAĆ ŻADNYCH SAMODZIELNYCH NAPRAW. WSZYSTKIE NAPRAWY MOGĄ BYĆ REALIZOWANE JEDYNIEM PRZEZ WYKWALIFIKOWANYCH PRACOWNIKÓW SERWISU.

WARUNKI BEZPIECZEŃSTWA

1. Przed zainstalowaniem i rozpoczęciem eksploatacji należy dokładnie zapoznać się z niniejszą instrukcją obsługi i zawartymi w niej wymogami bezpieczeństwa;
2. Uprasza się o zachowanie instrukcji na czas eksploatacji kamery na wypadek konieczności odniesienia się do zawartych w niej treści;
3. Należy skrupulatnie przestrzegać wymogów bezpieczeństwa opisanych w instrukcji, gdyż mają one bezpośredni wpływ na bezpieczeństwo użytkowników i trwałość oraz niezawodność urządzenia;
4. Wszystkie czynności wykonywane przez instalatorów i użytkowników muszą być realizowane zgodnie z opisem zawartym w instrukcji;
5. W czasie czynności konserwatorskich urządzenie musi być odłączone od zasilania;
6. Nie wolno stosować żadnych dodatkowych urządzeń lub podzespołów nie przewidzianych i nie zalecanych przez producenta;
7. Nie należy instalować tego urządzenia w miejscu, gdzie nie można zapewnić właściwej wentylacji (np. zamknięte szafki, itp.), co powoduje zatrzymanie się ciepła i w konsekwencji może doprowadzić do uszkodzenia urządzenia;
8. Nie wolno umieszczać kamery na niestabilnych powierzchniach lub niezalecanych przez producenta uchwytach. Źle zamocowana kamera może być przyczyną groźnego dla ludzi wypadku lub sama ulec poważnemu uszkodzeniu. Kamera musi być instalowana przez wykwalifikowany personel o odpowiednich uprawnieniach według zaleceń podanych w niniejszej instrukcji;
9. Urządzenie może być zasilane jedynie ze źródeł o parametrach zgodnych ze wskazanymi przez producenta w danych technicznych kamery. Dlatego też, zabrania się zasilania kamery ze źródeł o nieznanych, niestabilnych lub niezgodnych z wymaganiami określonymi przez producenta parametrach;
10. Przewody sygnałowe i zasilające powinny być prowadzone w sposób wykluczający możliwość ich przypadkowego uszkodzenia. Szczególną uwagę należy zwrócić na miejsce wyprowadzenia przewodów z kamery oraz na miejsce przyłączenia do źródła zasilania.
11. W celu uniknięcia uszkodzenia urządzenia, cały tor wizyjny powinien być wyposażony w prawidłowo wykonane układy ochrony przed zakłóceniami, przepięciami i wyładowaniami atmosferycznymi. Zalecane jest również stosowanie transformatorów separujących.
12. Instalacja elektryczna zasilająca kamerę powinna być zaprojektowana z uwzględnieniem wymagań podanych przez producenta tak, aby nie doprowadzić do jej przeciążenia;
13. Użytkownik nie może dokonywać żadnych napraw lub modernizacji urządzenia. Wszystkie naprawy mogą być wykonywane jedynie przez wykwalifikowanych pracowników autoryzowanego serwisu;
14. **Należy niezwłocznie odłączyć kamerę od źródła zasilania i przewodów sygnałowych oraz skontaktować się z właściwym serwisem w następujących przypadkach:**
 - Uszkodzenia przewodu zasilającego lub wtyczki tego przewodu;
 - Przedostania się cieczy do środka urządzenia lub gdy zostało ono narażone na silny uraz mechaniczny;
 - Urządzenie działa w sposób odbiegający od opisanego w instrukcji, a regulacje dopuszczone przez producenta i możliwe do samodzielnego przeprowadzenia przez użytkownika nie przynoszą spodziewanych rezultatów;
 - Obudowa została uszkodzona;
 - Można zaobserwować (lub usłyszeć) nietypowe zachowanie kamery.
15. W przypadku konieczności naprawy urządzenia należy upewnić się, czy pracownicy serwisu użyli oryginalnych części zamiennych o charakterystykach elektrycznych zgodnych z wymaganiami producenta. Nieautoryzowany serwis i nieoryginalne części mogą być przyczyną powstania pożaru lub porażenia prądem elektrycznym.

SPIS TREŚCI

SPIS TREŚCI	4
1. INFORMACJE WSTĘPNE	5
1.1. Charakterystyka ogólna	5
1.2. Dane techniczne	6
1.3. Wymiary kamery	7
1.4. Zawartość opakowania	7
2. URUCHAMIANIE I WSTĘPNA KONFIGURACJA KAMERY IP	8
2.1. Opis złączy elektrycznych	8
2.2. Podłączenie zasilania	9
2.3. Podłączenie kabla sieciowego	9
2.4. Montaż kamery	10
2.5. Uruchomienie kamery	11
2.6. Konfiguracja parametrów przy użyciu przeglądarki internetowej	12
2.7. Zalecenia dotyczące bezpieczeństwa sieci	13
3. POŁĄCZENIA SIECIOWE ZA POMOCĄ PRZEGLĄDARKI WWW	14
3.1. Zalecana konfiguracja komputera PC do połączeń przez przeglądarkę WWW	14
3.2. Połączenie sieciowe z kamerą IP za pomocą przeglądarki WWW	14
4. INTERFEJS WWW - PRACA Z KAMERA	16
4.1. Widok zdalnego podglądu	16
5. POŁĄCZENIA ELEKTRYCZNE	18
5.1. Podłączenie wejścia alarmowego	18
5.2. Podłączenie wyjścia alarmowego	18
6. PRZYWRACANIE USTAWIEŃ FABRYCZNYCH KAMERY	18
6.1. Przywracanie ustawień fabrycznych za pośrednictwem przeglądarki	18
6.2. Sprzętowe przywracanie ustawień fabrycznych kamery	18

INFORMACJE WSTĘPNE

1. INFORMACJE WSTĘPNE

1.1. Charakterystyka ogólna

- Rozdzielczość przetwornika: 5.0 megapikseli
- Mechaniczny filtr podczerwieni (możliwość pracy w podczerwieni)
- Czułość od 0 lx przy włączonym oświetlaczu IR
- Szeroki zakres dynamiki (WDR) - funkcja poprawiająca jakość obrazu dla różnych poziomów oświetlenia sceny
- Cyfrowa redukcja szumu (DNR)
- Typ obiektywu: ze zmienną ogniskową, $f=2.7 \sim 12\text{mm}/F=1.6$
- Wbudowany oświetlacz podczerwieni: 40 diod LED
- Wbudowany webserwer: kompresja i transmisja przez sieć strumienia wideo w czasie rzeczywistym
- Kompresja strumienia wideo: H.264/H265
- Rozdzielczość przetwarzania wideo: do 2592 x 1944
- Trzy konfigurowalne strumienie
- Możliwość definiowania kompresji, rozdzielczości, prędkości i jakości oddzielnie dla każdego strumienia
- Przesyłanie wideo w standardzie RTP/RTSP
- Dwukierunkowa transmisja audio
- Kompresja strumienia audio: G.711, G.726, ADPCM
- Wejście i wyjście alarmowe
- Sprzętowa detekcja ruchu
- Sprzętowe wykrywanie sabotażu (zasłonięcia obiektywu)
- Możliwość szerokiego definiowania reakcji systemu na zdarzenia alarmowe: wysłanie e-maila z załącznikiem, zapis pliku na serwer FTP, aktywacja wyjścia alarmowego
- Cztery strefy prywatności
- Zaawansowane funkcje analizy obrazu
- Definiowalne osiem Obszarów Obserwacji
- Zasilanie 12 VDC lub PoE (Power over Ethernet 802.3af)

Informacja

W zależności od typu używanego rejestratora/systemu rejestracji, zakres funkcjonalności i dostępnych opcji może być różny. Pełna lista funkcjonalności kamery dostępnych z danego typu rejestratora jest zamieszczona w tabeli kompatybilności na stronie www.novuscctv.com

Producent zastrzega sobie możliwość wystąpienia błędów w druku oraz zmian parametrów technicznych bez uprzedniego powiadomienia.

INFORMACJE WSTĘPNE

1.2. Dane techniczne

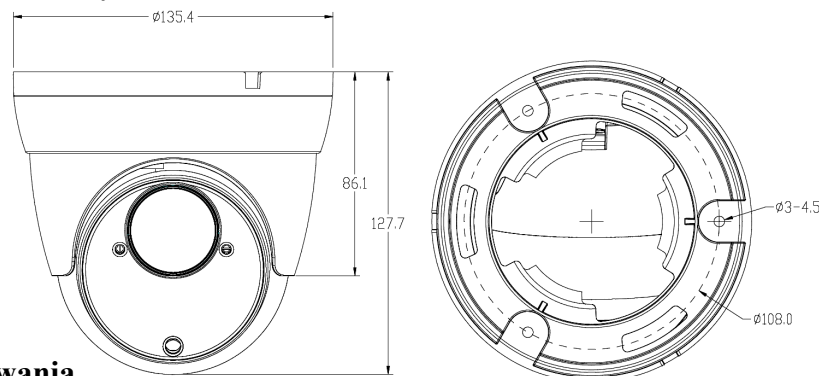
OBRAZ	
Przetwornik obrazu	5 MPX, matryca CMOS, 1/2.8", SONY STARVIS
Liczba efektywnych pikseli	2616 (H) x 1964 (V)
Czułość	0.01 lx/F1.2 - tryb kolorowy, 0 lx (IR wł.) - tryb czarno-biały
Elektroniczna migawka	automatyczna/manualna: 1/5 s ~ 1/20000 s
Wydłużona migawka (DSS)	do 1/5 s
Szeroki zakres dynamiki (WDR)	tak (podwójne skanowanie przetwornika), 120dB
Cyfrowa redukcja szumu (DNR)	2D, 3D
Funkcja Defog (F-DNR)	tak
Redukcja efektu oślepienia kamery (HLC)	tak
Kompensacja tylnego światła (BLC)	tak
OBIEKTYW	
Typ obiektywu	ze zmienną ogniskową, f=2.7 ~ 12 mm/F1.6
DZIEŃ/NOC	
Rodzaj przełączania	mechaniczny filtr podczerwieni
Tryb przełączania	automatyczny, manualny, czasowy
Opóźnienie przełączania	1 ~ 36 s
Czujnik światła widzialnego	tak
SIEĆ	
Rozdzielczość strumienia wideo	2592 x 1944, 2592 x 1520, 2304 x 1296, 2048 x 1536 (QXGA), 1920 x 1080 (Full HD), 1280 x 960, 1280 x 720 (HD), 640 x 480 (VGA), 320 x 240 (QVGA)
Prędkość przetwarzania	30 kl/s dla wszystkich rozdzielczości
Tryb wielostrumieniowy	3 strumienie
Kompresja wideo/audio	H.264, H.265/G.711, G.726, ADPCM
Liczba jednoczesnych połączeń	maks. 6
Przepustowość	łącznie 64 Mb/s
Obsługiwane protokoły sieciowe	HTTP, TCP/IP, IPv4, FTP, DHCP, DNS, DDNS, NTP, RTSP, RTP, UPnP, SMTP
Wsparcie protokołu ONVIF	Profile S/G
Konfiguracja kamery	z poziomu przeglądarki Internet Explorer języki: polski, angielski, rosyjski, i inne
Kompatybilne oprogramowanie	NMS
Aplikacje mobilne	RxCamView (iPhone, Android)
POZOSTAŁE FUNKCJE	
Strefy prywatności	4
Detekcja ruchu	tak
Obszar obserwacji (ROI)	8
Detekcja Audio	tak

INFORMACJE WSTĘPNE

Analiza obrazu	sabotaż, pojawienie się obiektu, zniknięcie obiektu, przekroczenie linii, wkroczenie do strefy, detekcja twarzy, detekcja osób, zliczanie przekroczeń linii, rozpoznawanie twarzy
Obróbka obrazu	obrót obrazu o 180°, tryb korytarzowy, przerzucenie obrazu w pionie, przerzucenie obrazu w poziomie
Reakcja na zdarzenia alarmowe	e-mail z załącznikiem, zapis na FTP, aktywacja wyjścia alarmowego
OŚWIETLACZ IR	
Liczba LED	40
Zasięg	45 m
Kąt świecenia	120°
Smart IR	tak (wsparcie programowe)
INTERFEJSY	
Wejścia/wyjścia audio	1 x RCA/1 x RCA
Wejścia/wyjścia alarmowe	1 (NO/NC)/1
Interfejs sieciowy	1 x Ethernet - złącze RJ-45, 10/100 Mbit/s
PARAMETRY INSTALACYJNE	
Wymiary (mm)	135 (Φ) x 128 (wys.)
Masa	0.7 kg
Klasa szczelności	IP 66 (szczegóły w instrukcji obsługi)
Obudowa	wandaloodporna
Zasilanie	PoE, 12 VDC
Zabezpieczenia przeciwprzepięciowe	TVS 4000 V
Pobór mocy	2 W, 6 W (IR wł.)
Temperatura pracy	-30°C ~ 55°C

1.3. Wymiary kamery

Wymiary na rysunku podane są w milimetrach

**1.4. Zawartość opakowania**

Po otwarciu należy upewnić się czy w opakowaniu znajdują się następujące elementy:

- Kamera IP
- Torebka z akcesoriami montażowymi
- Skrócona instrukcja obsługi.

URUCHAMIANIE I WSTĘPNA KONFIGURACJA

UWAGA!

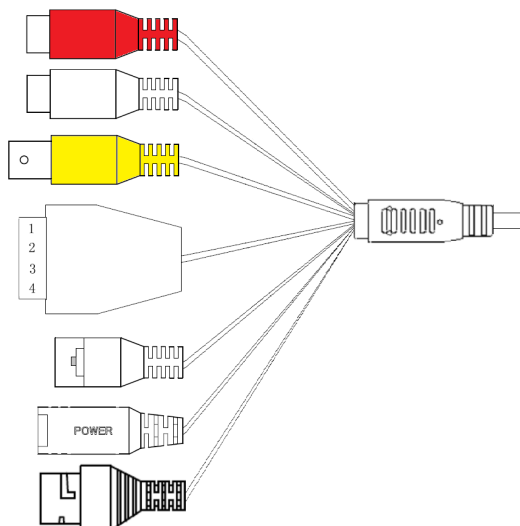
Jeżeli urządzenie przyniesione zostało z pomieszczenia o niższej temperaturze należy odczekać aż osiągnie temperaturę pomieszczenia, w którym ma pracować. Nie wolno włączać urządzenia bezpośrednio po przyniesieniu z chłodniejszego miejsca. Kondensacja zawartej w powietrzu pary wodnej może spowodować zwarcia i w konsekwencji uszkodzenie urządzenia.

Przed uruchomieniem urządzenia należy zapoznać się z opisem i rolą poszczególnych wejść, wyjść oraz elementów regulacyjnych, w które jest wyposażona kamera.

2. URUCHAMIANIE I WSTĘPNA KONFIGURACJA

2.1. Opis złączy elektrycznych kamery

1. Wejście liniowe audio
2. Wyjście liniowe audio
3. Wyjście wideo CVBS
4. Blok wejść/wyjść alarmowych
5. Przycisk reset
6. Złącze zasilania kamery 12VDC
7. Port Ethernet 100 Mb/s

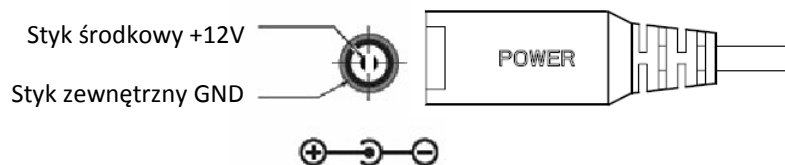


Nr	Typ złącza/Kolor	Funkcja	Opis
1	gniazdo typu RCA, kolor czerwony	Wejście liniowe audio	Do podłączenia zewnętrznych urządzeń audio (mikrofon)
2	gniazdo typu RCA, kolor biały	Wyjście liniowe audio	Do podłączenia zewnętrznych urządzeń audio (głośniki)
3	gniazdo typu BNC, kolor biały	Wyjście wideo	Wyjście wideo CVBS
4	blok złączy śrubowych ARK	1. Wejście alarmowe A	Wejście alarmowe, konfigurowalne: NC lub NO
		2. Wejście alarmowe B	
		3. Wyjście alarmowe A	Wyjście alarmowe, NO (przełącznikowe, 12VDC/24VAC 0,3A maks.)
		4. Wyjście alarmowe B	
5	-	Przycisk RESET	Przycisk do przywracania ustawień fabrycznych
6	gniazdo DC2,5/5,5	złącze zasilania kamery	Zasilanie kamery, 12VDC ±10%
7	gniazdo RJ45, biały	Port Ethernet	Złącze Ethernet 100Mb/s

URUCHAMIANIE I WSTĘPNA KONFIGURACJA

2.2 Podłączenie zasilania

W przypadku zasilania kamery z zewnętrznego zasilacza 12VDC, należy zwrócić uwagę, by miał on właściwe parametry, a wtyk zasilacza - właściwą polaryzację. Zastosowanie źródła zasilania o nieodpowiednich parametrach może skutkować nieprawidłową pracą urządzenia lub jego uszkodzeniem.



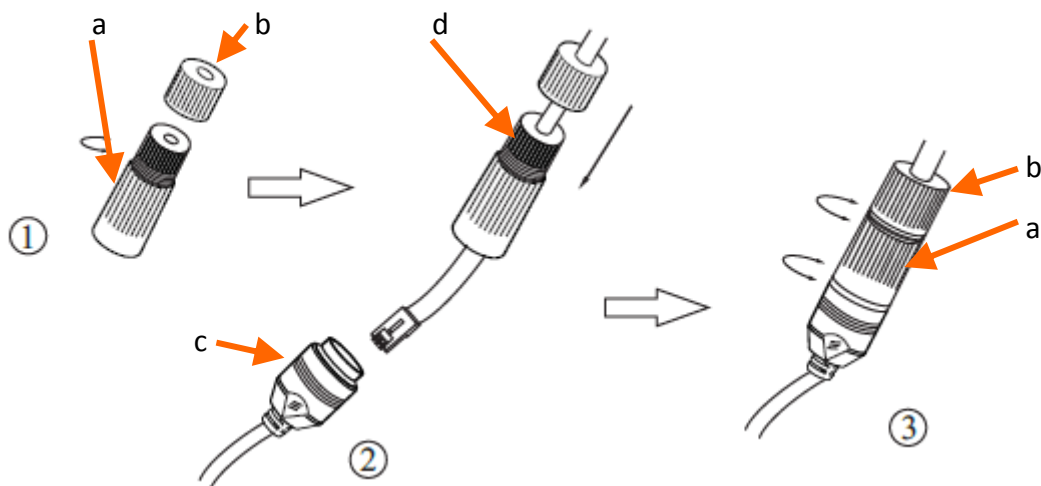
Kamera może być zasilana także przez gniazdo sieciowe RJ45, przy wykorzystaniu technologii PoE (IEEE 802.3af). Do zasilania kamery poprzez PoE należy użyć przełącznika sieciowego lub zasilacza PoE zgodnego ze standardem IEEE 802.3af.

UWAGA:

Zabronione jest stosowanie jako źródło zasilania kamery urządzeń (zasilacze, adaptory itp.) PoE niezgodnych ze standardem IEEE 802.3af, potocznie nazywanych „pasywne zasilacze PoE”. Uszkodzenia wynikłe ze stosowania nieodpowiednich źródeł zasilania nie podlegają gwarancji.

2.3. Podłączenie kabla sieciowego

Aby zachować hermetyczność połączenia kabla sieciowego należy postępować zgodnie z poniższą instrukcją:



1. Odkręcić nakrętkę (b) od osłony złącza (a), założyć pierścień uszczelniający na gniazdo (c)
2. Poprowadzić kabel sieciowy przez elementy (a) i (b). Włożyć wtyczkę RJ-45 do gniazda (c)
3. Nakręcić osłonę złącza (a) na gniazdo (c). W górną część osłony złącza (a) wcisnąć do oporu uszczelkę kabla (d) - uszczelka ma przecięcie umożliwiające założenie na przewód.
4. Dokręcić do oporu nakrętkę (b)

UWAGA!

Złącza inne niż sieciowe nie są hermetyczne. Użytkownik powinien uszczelnić je we własnym zakresie.

URUCHAMIANIE I WSTĘPNA KONFIGURACJA

2.4. Montaż kamery

W celu zamontowania kamery należy postępować zgodnie z podaną procedurą:

- Odkręcić pierścień blokujący (A) obracając go w kierunku przeciwnym do ruchu wskazówek zegara
- Zdjąć osłonę kamery (B), wyjąć kamerę z podstawy
- Wzorując się na położeniu otworów w podstawie kamery, zaznaczyć punkty pod przyszłe otwory mocujące i przepust kablowy.
- Wywiercić otwory montażowe i otwór pod kabel sygnałowy w miejscu podłączenia.
- Zamocować podstawę kamery przy użyciu załączonych kołków i wkrętów.
- Podłączyć przewody kamery, umieścić ją na podstawie, założyć osłonę (B) i przykręcić wstępnie pierścień blokujący (A)
- Dokonać regulacji położenia kamery, wyregulować pole widzenia i ostrość.
- Dokręcić do oporu pierścień blokujący (A)



UWAGA!

Należy zwrócić szczególną uwagę, aby powierzchnia do której mocowany jest uchwyt i kamera miała odpowiednią nośność.

UWAGA!

Deklarowana klasa szczelności kamery dotyczy jej obudowy i nie uwzględnia możliwości wnikania wilgoci do wnętrza kamery poprzez przewody przyłączeniowe. Zabezpieczenie przewodów poprzez np. uszczelnienie ich odpowiednią masą jest obowiązkiem osoby instalującej kamerę. Producent nie ponosi odpowiedzialności za wszelkie szkody, uszkodzenia kamery powstałe w skutek niedopełnienia w/w obowiązku co jednocześnie oznacza, iż nie podlegają one naprawom gwarancyjnym.



Kamera jest wyposażona w funkcję rozpoznawania twarzy, która poza właściwą konfiguracją, wymaga zamontowania kamery w odpowiedni sposób, i zapewnienia właściwych warunków pracy. Przed instalacją kamery proszę zapoznać się ze wskazówkami zawartymi w instrukcji „Wskazówki instalacji” dostępnej do pobrania na stronie produktu.

URUCHAMIANIE I WSTĘPNA KONFIGURACJA

2.5. Uruchomienie kamery IP

W celu uruchomienia kamery należy podłączyć kabel ethernetowy do gniazda sieciowego RJ45 kamery IP, a drugi koniec do przełącznika sieciowego. Jako źródło zasilania możliwe jest wykorzystanie zewnętrznego stabilizowanego zasilacza o parametrach spełniających wymagania kamery lub przełącznika sieciowego PoE.

Zalecaną metodą uruchomienia i konfiguracji kamery IP jest połączenie jej do komputera PC lub laptopa w wydzielonym przełączniku sieciowym, do którego nie ma podłączonych innych urządzeń. W przypadku zasilania z zewnętrznego zasilacza wystarczy zastosować dowolny przełącznik sieciowy, lub kabel podłączony bezpośrednio do komputera. W celu uzyskania danych potrzebnych do konfiguracji sieci (adres IP, brama, maska sieci itd.) należy skontaktować się z administratorem sieci, w której urządzenie ma pracować.

- Połączenie wykorzystujące przełącznik sieciowy PoE

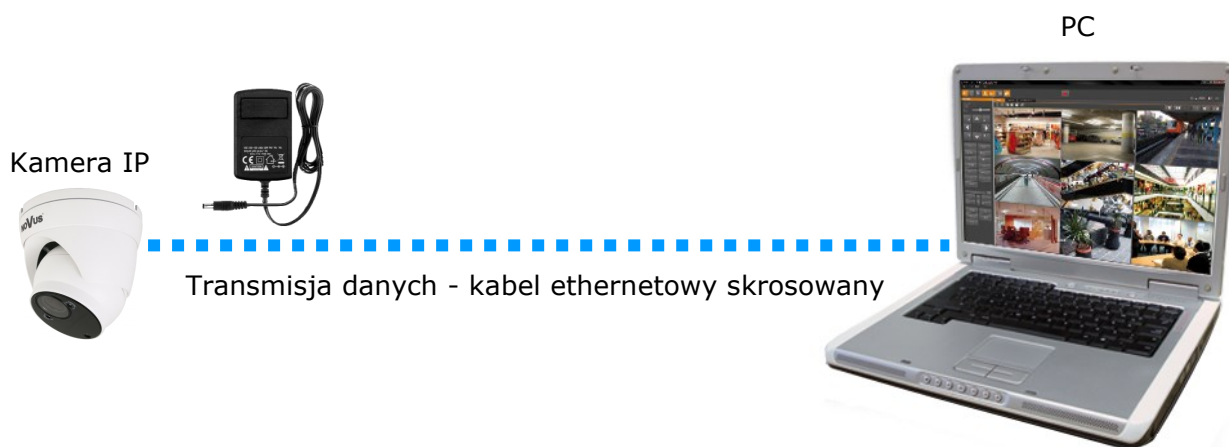


- Połączenie wykorzystujące zewnętrzne zasilanie kamery i przełącznik sieciowy



URUCHAMIANIE I WSTĘPNA KONFIGURACJA

- Połączenie wykorzystujące zewnętrzne zasilanie kamery i kabel ethernetowy



2.6. Konfiguracja parametrów przy użyciu przeglądarki internetowej

Konfigurację sieciową kamery można przeprowadzić przy pomocy przeglądarki internetowej.

Domyślne ustawienia sieciowe dla kamery to:

1. Adres IP = **192.168.1.200**
2. Maska sieci - **255.255.255.0**
3. Brama - **192.168.1.1**
4. Nazwa użytkownika - **root**
5. Hasło - **pass**

Znając adres IP kamery należy ustawić adres IP komputera w taki sposób aby oba urządzenia pracowały w jednej podsieci (dla adresu IP kamery 192.168.1.200 jako adres IP komputera PC możemy ustawić adres z zakresu 192.168.1.0 - 192.168.1.254, np.: 192.168.1.60). Niedopuszczalne jest ustawianie adresu komputera takiego samego jak adres kamery.

Wykorzystując połączenie przez przeglądarkę internetową Internet Explorer lub oprogramowanie NMS należy ustawić docelową konfigurację sieciową (adres IP, maskę sieci, bramę, serwery DNS) lub włączyć tryb pracy DHCP pozwalający na pobranie adresu IP z serwera DHCP (wymagany jest wówczas działający serwer DHCP). W przypadku korzystania z serwera DHCP należy upewnić się co do długości okresu dzierżawy adresu IP, jego powiązania z adresem MAC kamery IP w celu uniknięcia zmiany lub utraty adresu IP w czasie pracy urządzenia lub chwilowej awarii sieci / serwera DHCP. Należy pamiętać że po zmianie adresu IP kamera zostanie zresetowana i trzeba wpisać nowy adres w przeglądarce internetowej. Po konfiguracji ustawień sieciowych pozwalających na bezkonfliktową pracę urządzenia, kamerę IP możemy podłączyć do sieci docelowej.

URUCHAMIANIE I WSTĘPNA KONFIGURACJA

2.7 Zalecenia dotyczące bezpieczeństwa sieci

UWAGA!

Poniżej zostały przedstawione podstawowe zalecenia dotyczące budowy oraz konfiguracji systemów telewizji dozorowej podłączonych do sieci Internet, pozwalające ograniczyć ryzyko nieautoryzowanej ingerencji w system przez osoby trzecie.

1. Bezwzględnie należy zmienić domyślne hasła dostępu oraz nazwy użytkowników (jeśli dane urządzenia dają taką możliwość) wszystkich zastosowanych urządzeń sieciowych (tzn. rejestratora, kamer, routerów, przełączników sieciowych itp.) na hasła o znacznym stopniu skomplikowania. W zależności od możliwości konfiguracji danego urządzenia zaleca się, aby hasło zawierało: małe litery, wielkie litery, cyfry oraz znaki specjalne.

2. W zależności od dostępnej funkcjonalności w celu ograniczenia dostępu do zastosowanych urządzeń sieciowych na poziomie konta administratora zaleca się odpowiednią konfigurację kont użytkowników.

3. Bezwzględnie zabronione jest wykorzystywanie funkcji DMZ (Demilitarized zone - strefa zdemilitaryzowana). Zastosowanie tej funkcji otwiera dostęp do systemu od strony sieci Internet na wszystkich możliwych portach, co w znacznym stopniu ułatwia ewentualną nieautoryzowaną ingerencję w system.

Zamiast wykorzystywania funkcji DMZ należy zastosować przekierowanie portów. Przekierowane powinny zostać jedynie porty niezbędne do realizacji połączenia (szczegółowych informacji na temat portów komunikacji w poszczególnych modelach rejestratorów, kamer itp. należy szukać w instrukcjach obsługi urządzeń).

4. Należy stosować routery wyposażone w funkcję zapory sieciowej (Firewall) oraz upewnić się że funkcja jest włączona oraz odpowiednio skonfigurowana.

5. Jeśli urządzenia sieciowe posiadają taką funkcjonalność zalecana jest zmiana domyślnych numerów portów wykorzystywanych do komunikacji sieciowej.

6. Jeśli urządzenia sieciowe posiadają funkcję UPnP i nie jest ona wykorzystywana, należy ją bezwzględnie wyłączyć.

7. Jeśli urządzenia sieciowe posiadają funkcję P2P i nie jest ona wykorzystywana, należy ją wyłączyć.

8. Jeśli urządzenia sieciowe obsługują protokół HTTPS do realizacji połączeń zaleca się jego stosowanie.

9. Jeśli urządzenia sieciowe obsługują funkcję filtracji adresów IP uprawnionych do nawiązywania połączenia zaleca się jej wykorzystywanie.

10. Jeśli zastosowany rejestrator sieciowy wyposażony jest w dwa interfejsy sieciowe zaleca się odseparowanie sieci do której podłączone są kamery od sieci posiadającej połączenie internetowe. Dzięki temu urządzeniem dostępnym z poziomu sieci Internet będzie rejestrator natomiast połączenie z kamerami nie będzie możliwe.

POŁĄCZENIA SIECIOWE ZA POMOCĄ PRZEGLĄDARKI WWW

3. POŁĄCZENIA SIECIOWE ZA POMOCĄ PRZEGLĄDARKI WWW

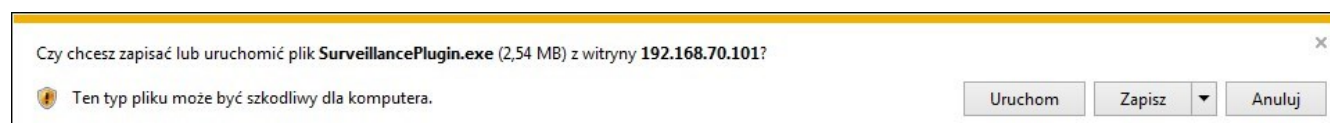
3.1. Zalecana konfiguracja komputera PC do połączeń przez przeglądarkę WWW

Poniższe wymagania dotyczą połączenia z kamerą IP przy założeniu płynnego wyświetlania obrazu wideo w rozdzielczości 2592 x 1944 dla 30 kl/s.

1. Procesor **Intel Core i3 3GHz** lub wyższy
2. Pamięć **RAM min. 4 GB**
3. Karta grafiki **NVIDIA GeForce 1 GHz**
4. System operacyjny **Windows VISTA/ 7 / 8**
5. Karta sieciowa **10/100/1000 Mb/s**

3.2. Połączenie sieciowe z kamerą IP za pomocą przeglądarki WWW

W pasku adresu przeglądarki WWW należy wpisać adres IP kamery. Jeśli podany adres jest prawidłowy i docelowe urządzenie jest w danej chwili osiągalne, przed pierwszym logowaniem należy zainstalować dodatek „*SurveillancePlugin.exe*”. W tym celu klikamy na link „*download*”, a gdy pojawi się okno pobierania klikamy przycisk „*Uruchom*”.



Gdy pojawi się okno instalatora dodatku, zamykamy tymczasowo przeglądarkę i klikamy „*Install*”. Po zakończeniu instalacji uruchamiamy ponownie przeglądarkę i łączymy się z kamerą.

POŁĄCZENIA SIECIOWE ZA POMOCĄ PRZEGLĄDARKI WWW

Jeżeli dla przeglądarki Internet Explorer instalacja przeprowadzona w ten sposób się nie powiedzie należy zmienić ustawienia zabezpieczeń przeglądarki. Aby to zrobić należy w przeglądarce Internet Explorer wybrać: *Narzędzia -> Opcje internetowe -> Zabezpieczenia -> Poziom niestandardowy* i następnie zmienić:

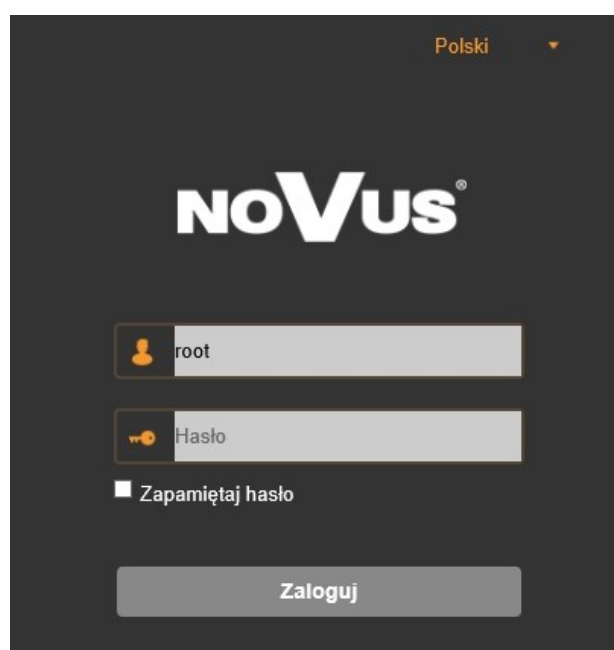
- Pobieranie niepodpisanych formantów ActiveX - należy ustawić **Włącz** lub **Monituj**
- Inicjowanie i wykonywanie skryptów formantów ActiveX niezaznaczonych jako bezpieczne do wykonywania - należy ustawić **Włącz** lub **Monituj**

Można również dodać adres IP kamer do strefy *Zaufane witryny* i ustawić dla tej strefy niski poziom zabezpieczeń.

Dodatkowo w przypadku pracy w systemie Windows Vista, 7 i 8 możliwe jest zablokowanie apletu ActiveX przez Windows Defender i Kontrolę konta użytkownika. W takim przypadku należy zezwolić na uruchamianie dodatku lub po prostu wyłączyć działanie blokujących aplikacji.

Po zainstalowaniu dodatku możliwe będzie zalogowanie się do kamery. Na ekranie logowania wpisujemy dane logowania. Możemy także zmienić język interfejsu kamery.

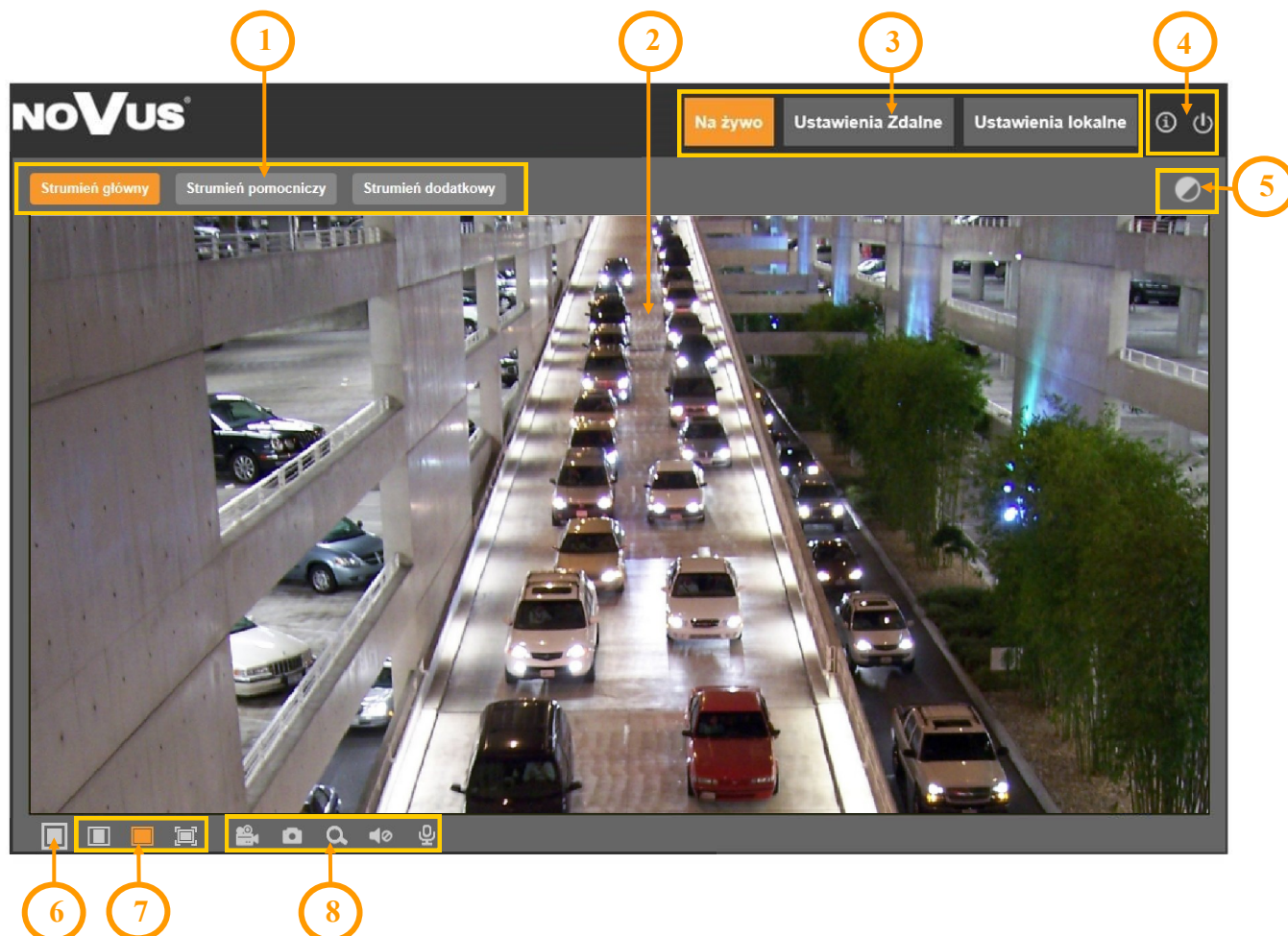
Ze względów bezpieczeństwa zaleca się zmianę domyślnego hasła i nazwy użytkownika.



INTERFEJS WWW - PRACA Z KAMERA

4. INTERFEJS WWW - PRACA Z KAMERA

4.1. Widok zdalnego podglądu



1. Przyciski wyboru strumienia do wyświetlania w oknie zdalnego podglądu

2. Okno podglądu na żywo.

Dwukrotne kliknięcie lewym przyciskiem myszy na oknie podglądu włącza i wyłącza wyświetlanie obrazu na całym ekranie.


3. Przyciski wyboru trybu pracy i konfiguracji kamery:


Na żywo - włącza podgląd strumienia na żywo

Ustawienia Zdalne - wyświetla panel konfiguracyjny kamery

Ustawienia Lokalne - wyświetla panel konfiguracji ścieżek dostępu do folderów zrzutów

4. Ikony dostępu do kamery:

 - wyświetla informacje o zalogowanym użytkowniku i wersji apletu

 - wylogowanie z kamery

INTERFEJS WWW - PRACA Z KAMERĄ

5. Włącza i wyłącza panel do ustawiania parametrów obrazu:

W panelu jest możliwość regulowania odcienia kolorów, jasności, kontrastu, nasycenia kolorów i ostrości (wyrazistości).



6. Włącza/wyłącza podgląd na żywo

7. Przyciski ustawiania rozmiaru i proporcji obrazu



- ustawia oryginalne proporcje obrazu



- dopasowuje obraz do okna przeglądarki



- włącza pełny ekran

8. Ikony sterujące dodatkowymi funkcjami:



- włącza i wyłącza nagrywanie strumienia wideo na dysku komputera



- wykonuje zrzut ekranu i zapisuje na dysku komputera



- włącza i wyłącza powiększanie fragmentu obrazu



- wyświetla suwak regulacji głośności

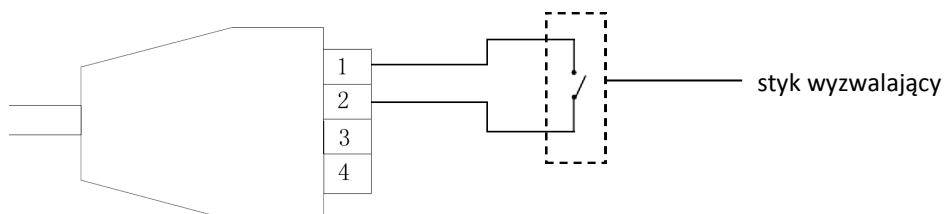


- włącza i wyłącza transmisję audio

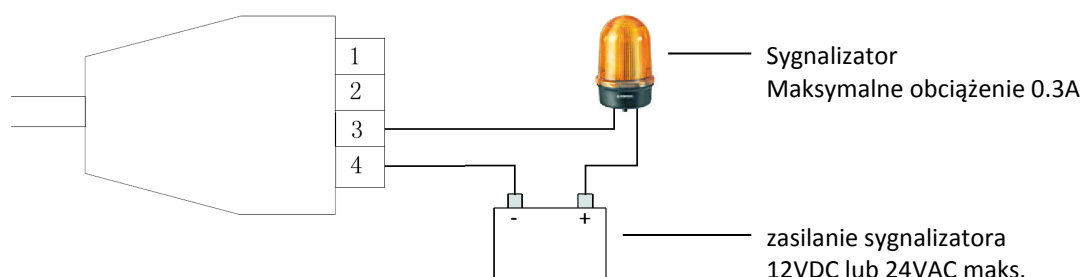
POŁĄCZENIA ELEKTRYCZNE I USTAWIENIA FABRYCZNE

5. POŁĄCZENIA ELEKTRYCZNE

5.1 Podłączenie wejścia alarmowego



5.2 Podłączenie wyjścia alarmowego



6. PRZYWRACANIE USTAWIEŃ FABRYCZNYCH KAMERY

6.1 Programowe przywracanie ustawień fabrycznych kamery

Kamera umożliwia resetowanie swoich ustawień do wartości fabrycznych. Aby przywrócić ustawienia kamery do ustawień domyślnych należy przejść do zakładki „*Ustawienia fabryczne*” (Ustawienia Zdalne -> Zaawansowane -> Ustawienia fabryczne). Następnie należy wybrać opcje i funkcje kamery, których ustawienia mają zostać zresetowane i nacisnąć przycisk „*Zapisz*”.

Po około 30 sekundach będzie można ponownie połączyć się z kamerą (na dotychczasowym adresie IP, o ile nie resetowaliśmy ustawień sieciowych, bądź na domyślnym adresie IP).

Uwaga: Aby móc dokonać programowego przywracania ustawień fabrycznych, należy być zalogowanym jako „root”.

6.2 Sprzętowe przywracanie ustawień fabrycznych kamery

Do sprzętowego przywracania ustawień fabrycznych kamery służy przycisk RESET umiejscowiony na przewodzie kamery. Aby przywrócić ustawienia domyślne za pomocą przycisku RESET, należy wcisnąć go i przytrzymać przez około 5 sekund.

Po około 30 sekundach będzie można ponownie połączyć się z kamerą na domyślnym adresie IP.

Informacja

Opis wszystkich funkcji kamery jest zawarty w pełnej instrukcji obsługi, zamieszczonej na stronie produktu na www.novuscctv.com

noVus[®]

AAT Holding S.A.

ul. Puławska 431, 02-801 Warszawa
tel.: (22) 546 0 700, fax: (22) 546 0 719
www.novuscctv.com