

# User's manual (short form)

eng



NVIP-3DN3011H/IR-1P  
NVIP-3DN3012H/IR-1P

**noVus<sup>®</sup>**

## IMPORTANT SAFEGUARDS AND WARNINGS

---

---

### EMC (2004/108/EC) and LVD (2006/95/EC ) Directives



Our products are manufactured to comply with requirements of the following directives and national regulations implementing the directives:

- Electromagnetic compatibility EMC 2004/108/EC.
- Low voltage LVD 2006/95/EC with further amendment. The Directive applies to electrical equipment designed for use with a voltage rating of between 50VAC and 1000VAC as well as 75VDC and 1500VDC.

### WEEE Directive 2002/96/EC



#### Information on Disposal for Users of Waste Electrical and Electronic Equipment

This appliance is marked according to the European 1000VAC Directive on Waste Electrical and Electronic Equipment (2002/96/EC) and further amendments. By ensuring this product is disposed of correctly, you will help to prevent potential negative consequences for the environment and human health, which could otherwise be caused by inappropriate waste handling of this product.

The symbol on the product, or the documents accompanying the product, indicates that this appliance may not be treated as household waste. It shall be handed over to the applicable collection point for used up electrical and electronic equipment for recycling purpose. For more information about recycling of this product, please contact your local authorities, your household waste disposal service or the shop where you purchased the product.

### RoHS Directive 2002/95/EC



Out of concern for human health protection and friendly environment, we assure that our products falling under RoHS Directive regulations, regarding the restriction of the use of hazardous substances in electrical and electronic equipment, have been designed and manufactured in compliance with the above mentioned regulations. Simultaneously, we claim that our products have been tested and do not contain hazardous substances whose exceeding limits could have negative impact on human health or natural environment

### Information

The device, as a part of professional CCTV system used for surveillance and control, is not designed for self installation in households by individuals without technical knowledge.

### Excluding of responsibility in case of damaging data on a disk or other devices:

The manufacturer does not bear any responsibility in case of damaging or losing data on a disk or other devices during device operation.

### WARNING!

PRIOR TO UNDERTAKING ANY ACTION THAT IS NOT DESCRIBED FOR THE GIVEN PRODUCT IN USER'S MANUAL AND OTHER DOCUMENTS DELIVERED WITH THE PRODUCT, OR IF IT DOES NOT ARISE FROM THE USUAL APPLICATION OF THE PRODUCT, MANUFACTURER MUST BE CONTACTED UNDER THE RIGOR OF EXCLUDING THE MANUFACTURER'S RESPONSIBILITY FOR THE RESULTS OF SUCH AN ACTION.

## IMPORTANT SAFEGUARDS AND WARNINGS

---

---

### **WARNING!**

THE KNOWLEDGE OF THIS MANUAL IS AN INDESPENSIBLE CONDITION OF A PROPER DEVICE OPERATION. YOU ARE KINDLY REQUESTED TO FAMILIRIZE YOURSELF WITH THE MANUAL PRIOR TO INSTALLATION AND FURTHER DEVICE OPERATION.

### **WARNING!**

USER IS NOT ALLOWED TO DISASSEMBLE THE CASING AS THERE ARE NO USER -SERVICEABLE PARTS INSIDE THIS UNIT. ONLY AUTHORIZED SERVICE PERSONNEL MAY OPEN THE UNIT

INSTALLATION AND SERVICING SHOULD ONLY BE DONE BY QUALIFIED SERVICE PERSONNEL AND SHOULD CONFORM TO ALL LOCAL REGULATIONS

1. Prior to undertaking any action please consult the following manual and read all the safety and operating instructions before starting the device.
2. Please keep this manual for the lifespan of the device in case referring to the contents of this manual is necessary;
3. All the safety precautions referred to in this manual should be strictly followed, as they have a direct influence on user's safety and durability and reliability of the device;
4. All actions conducted by the servicemen and users must be accomplished in accordance with the user's manual;
5. The device should be disconnected from power sources during maintenance procedures;
6. Usage of additional devices and components neither provided nor recommended by the producer is forbidden;
7. You are not allowed to use the camera in high humidity environment (i.e. close to swimming pools, bath tubs, damp basements);
8. Mounting the device in places where proper ventilation cannot be provided (e. g. closed lockers etc.) is not recommended since it may lead to heat build-up and damaging the device itself as a consequence;
9. Mounting the camera on unstable surface or using not recommended mounts is forbidden. Improperly mounted camera may cause a fatal accident or may be seriously damaged itself. The camera must be mounted by qualified personnel with proper authorization, in accordance with this user's manual.
10. Device should be supplied only from a power sources whose parameters are in accordance with those specified by the producer in the camera technical datasheet. Therefore, it is forbidden to supply the camera from a power sources with unknown parameters, unstable or not meeting producer's requirements;

## TABLE OF CONTENTS

---

---

<b>TABLE OF CONTENTS</b> .....	4
<b>1. FOREWORD INFORMATION</b> .....	5
1.1. General characteristics.....	5
1.2. Technical specification .....	6
1.3. Camera dimension .....	7
1.4. Package contents.....	7
<b>2. START-UP AND INITIAL IP CAMERA CONFIGURATION</b> .....	8
2.1. Description of connectors and control tools.....	8
2.2. Connecting ethernet cable .....	8
2.3. Zoom and focus adjustment.....	9
2.3. Cameras mounting.....	9
2.4. Desiccant mounting guide .....	11
2.5. Starting the IP camera.....	12
<b>3. NETWORK CONNECTION UTILIZING WEB BROWSER</b> .....	13
3.1. Recommended PC specification for web browser .....	13
3.2. Connection with IP camera via web browser.....	13
<b>4. USING AND CONFIGURING</b> .....	15
4.1. Remote Preview Interface. ....	15
<b>5. ELECTRIC CONNECTORS AND ACCESORIES</b> .....	16
5.1. Connecting power supply to the camera. ....	16
5.2. Camera control RS. ....	16
<b>6. RESTORING FACTORY DEFAULTS</b> .....	17
6.1. Restoring software factory defaults.....	17
6.2. Restoring factory defaults by hardware means .....	17

eng

## FOREWORD INFORMATION

---

---

### 1. FOREWORD INFORMATION

#### 1.1. General Characteristics

- Imager resolution: 3 megapixels
- Mechanical IR cut filter ,IR operation capability
- Min. Illumination from 0 lx with IR LED on
- Wide Dynamic Range (WDR) for enhanced image quality in diverse light conditions
- Digital Noise Reduction (DNR)
- Lens type:
  - Standard,  $f=4\text{ mm}/F=1.6$  (NVIP-3DN3011H/IR-1P)
  - Varifocal,  $f=2.8 \sim 12\text{ mm}/F=1.4$  (NVIP-3DN3012H/IR-1P)
  
- Built-in LED illuminator:
  - 42 pcs LED (NVIP-3DN3011H/IR-1P)
  - 36 pcs LED (NVIP-3DN3012H/IR-1P)
- Compression: H.264
- Max video processing resolution: 2048 x 1536
- Multi streaming: compression, resolution, speed and quality defined individually for each video stream
- RTP/RTSP protocol support for video transmission
- Post-alarm functions
- Hardware motion detection
- Built-in webserver: camera configuration through the website
- Wide range of responses to alarm events: e-mail with attachment, saving file on FTP server
- Software: NMS (NOVUS MANAGEMENT SYSTEM) for video recording, live monitoring, playback and remote IP devices administration
- Power supply: 12VDC, PoE (Power over Ethernet)

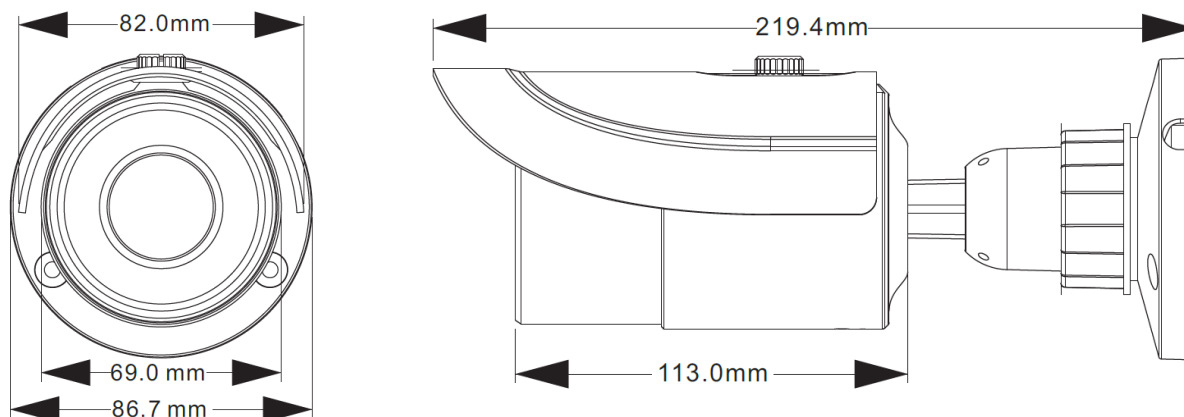
## FOREWORD INFORMATION

### 1.2. Technical specification

	NVIP-3DN3011H/IR-1P	NVIP-3DN3012H/IR-1P
<b>IMAGE</b>		
Pick-up Element	1/3" CMOS imager	
Number of Effective Pixels	2048 (H) x 1536 (V)	
Min. Illumination	0.14 lx/F=1.6 - color mode, 0 lx - IR on	0.19 lx/F=1.4 - color mode, 0 lx - IR on
Wide Dynamic Range (WDR)	Yes	
Digital Noise Reduction (DNR)	Yes	
<b>LENS</b>		
Type	Standard, f=4 mm/F=1.6	Varifocal, f=2.8 ~ 12 mm /F=1.4
Angle of View (H)	62°	72° ~ 27°
<b>DAY/NIGHT</b>		
Type	Mechanical IR cut filter	
Switching Mode	Auto/manual/timer	
<b>NETWORK</b>		
Stream Resolution	2048 x 1536 (QXGA), 2304 x 1296, 1920x1080 (FullHD), 1280x720(HD), 640x480 (VGA), 320x240(QVGA)	
Frame Rate	15 fps for 2048 x 1536, 30 fps for 1920 x 1080 and lower	
Multistreaming Mode	3 streams	
Video Compression	H.264	
Number of Simultaneous Connections	Max. 10	
Bandwidth	40 Mb/s in total	
Network Protocols Support	ONVIF (2.3), TCP/IP, DHCP, PPPoE, DDNS, SMTP, UPnP, RTSP, NTP	
PC Software	NOVUS NMS, Internet Explorer, Google Chrome, Opera, Mozilla Firefox	
<b>OTHER FUNCTIONS</b>		
OSD	IE browser, Polish, English, Russian and Portuguese	
Motion Detection	Yes	
Postalarm	5 s ~ 2 min	
System Reaction to Alarm Events	E-mail with attachment, saving file on FTP server	
<b>IR LED</b>		
Number	42	36
Range	25 m	20 m
Angle	90°	
<b>INTERFACES</b>		
Video Output	-	
Audio Input / Output	- / -	
Alarm Input / Output	- / -	
Network Interface	1 x Ethernet - RJ-45 interface, 10/100 Mbit/s	
<b>INSTALLATION PARAMETERS</b>		
Dimensions (mm)	87 (Ø) x 219 (L)	
Weight	600 g	
Enclosure	Aluminium, white, mounting bracket and sunshield in-set included	
Power Supply	PoE, 12 VDC	
Power Consumption	3,6 W, 7,2 W (IR on)	3,6 W, 7 W (IR on)
Degree of Protection	IP 66	

## FOREWORD INFORMATION

### 1.3. Camera dimensions



### 1.4. Package contents

After you open the package make sure that the following elements are inside:

- IP camera
- Accessories bag
- Short version of user's manual
- CD containing manual and software

If any of this elements has been damaged during transport, pack all the elements back into the original box and contact your supplier for further assistance.

### CAUTION!

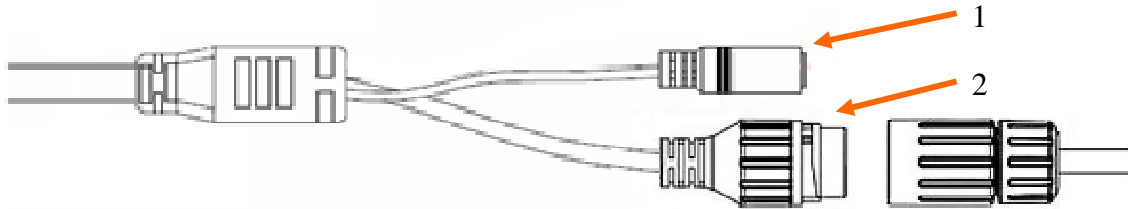
**If the device was brought from a location with lower temperature, please wait until it reaches the temperature of location it is currently in. Turning the device on immediately after bringing it from a location with lower ambient temperature is forbidden, as the condensing water vapour may cause short-circuits and damage the device as a result.**

**Before starting the device familiarize yourself with the description and the role of particular inputs, outputs and adjusting elements that the device is equipped with.**

## START-UP AND INITIAL CAMERA CONFIGURATION

### 2. START-UP AND INITIAL CAMERA CONFIGURATION

#### 2.1 Description of connectors and control tools

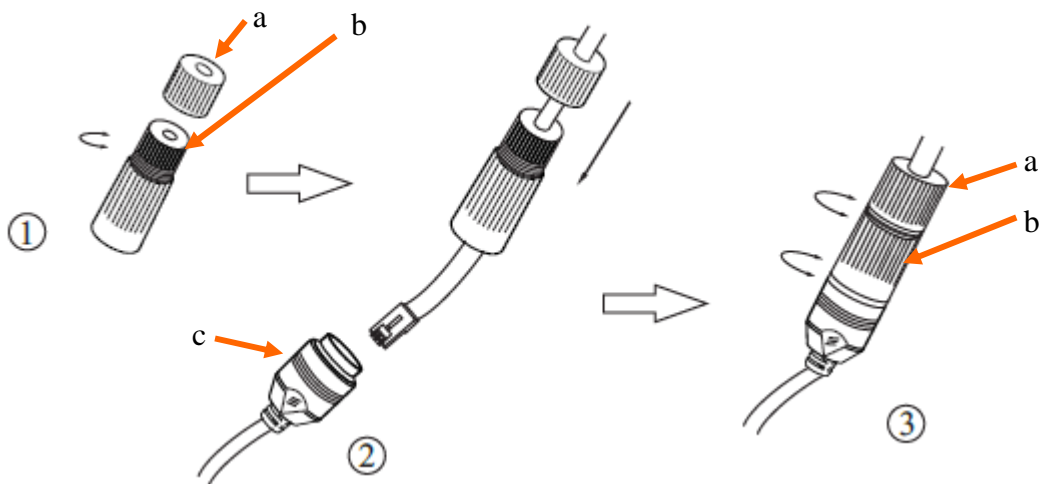


1. Power supply 12VDC
2. 100 Mb/s Ethernet port (RJ-45 hermetic connector)

#### 2.2. Connecting ethernet cable

To maintain tightness of ethernet cable connection, please follow instruction below:

1. Loosen the nut (a) from the main element (b).
2. Run power cable (without RJ-45 connector) through both elements. Then crimp the cable with RJ-45 connector.
3. Connect the cable to the hermetic connector (c), screw main cover (b), then screw the nut (a).



**WARNING!** 12VDC power connector is not hermetic. User should seal power connector by himself.

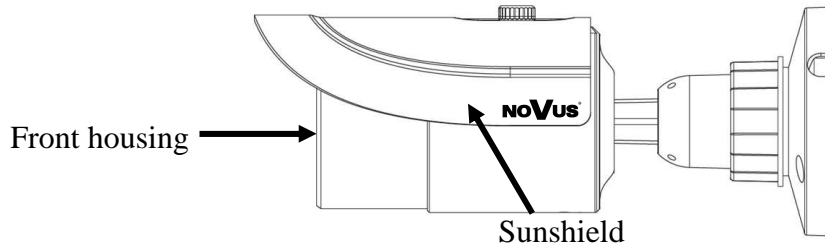


## START-UP AND INITIAL CAMERA CONFIGURATION

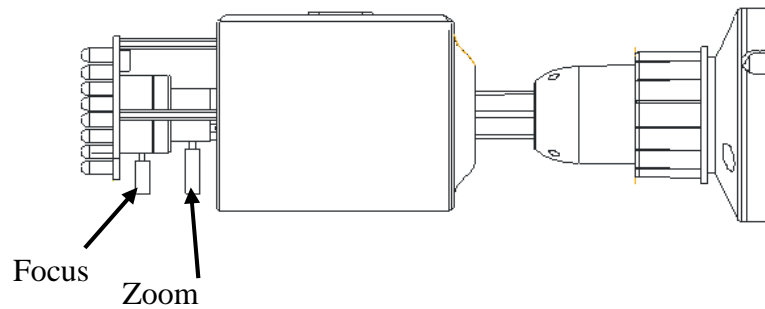
### 2.3 Zoom and focus adjustment

Camera NVIP-3DN3012H/IR-1P

1. Remover sunshield and front housing.



2. Adjust zoom and focus.



3. Mount front housing and sunshield.

## START-UP AND INITIAL CAMERA CONFIGURATION

---

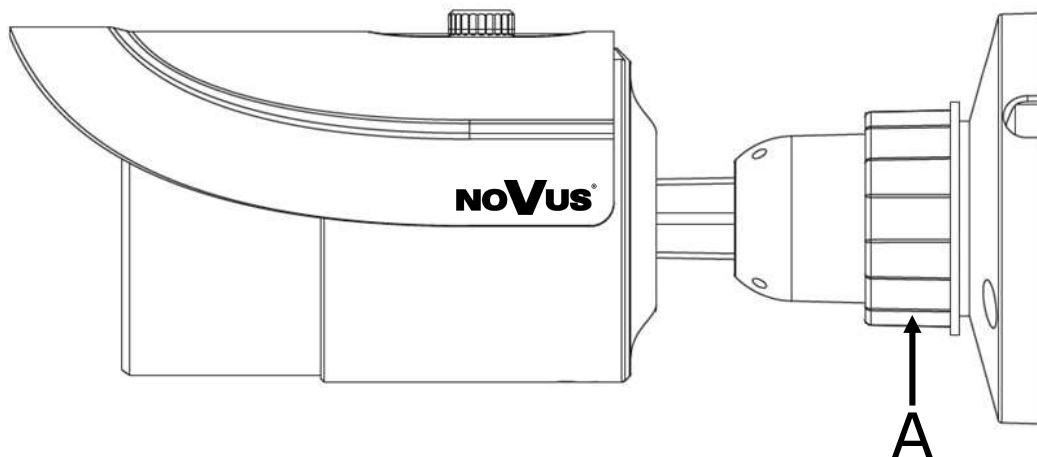
---

### 2.4. Cameras mounting

To mount a camera please follow the instructions below:

- Put the bracket to the wall in a desired mounting place (with cable hole). Taking the bracket's base screw holes as a pattern, mark future drilling holes for screws using a punch.
- Drill holes in accordance with previously done markings and base hole placement.
- Mount the camera with bracket on the ceiling/wall with three supplied self tapping screws.
- Loosen nut "A".
- Adjust camera position.
- Power camera and adjust zoom and focus.
- Tighten nut "A".

**WARNING!** Please note that the wall or ceiling must have enough strength to support the IP Camera.



**WARNING!** In order to obtain declared degree of protection please seal the camera bracket to prevent water getting inside. Furthermore, when installing the bracket on rough/uneven surfaces, please additionally seal the junction with appropriate sealing mass. Please pay special attention to any mounting holes and if they are a loop-through ones, seal them too.

## START-UP AND INITIAL CAMERA CONFIGURATION

### 2.5. Starting the IP camera

To run NOVUS IP camera you have to connect ethernet cable between camera and network switch.

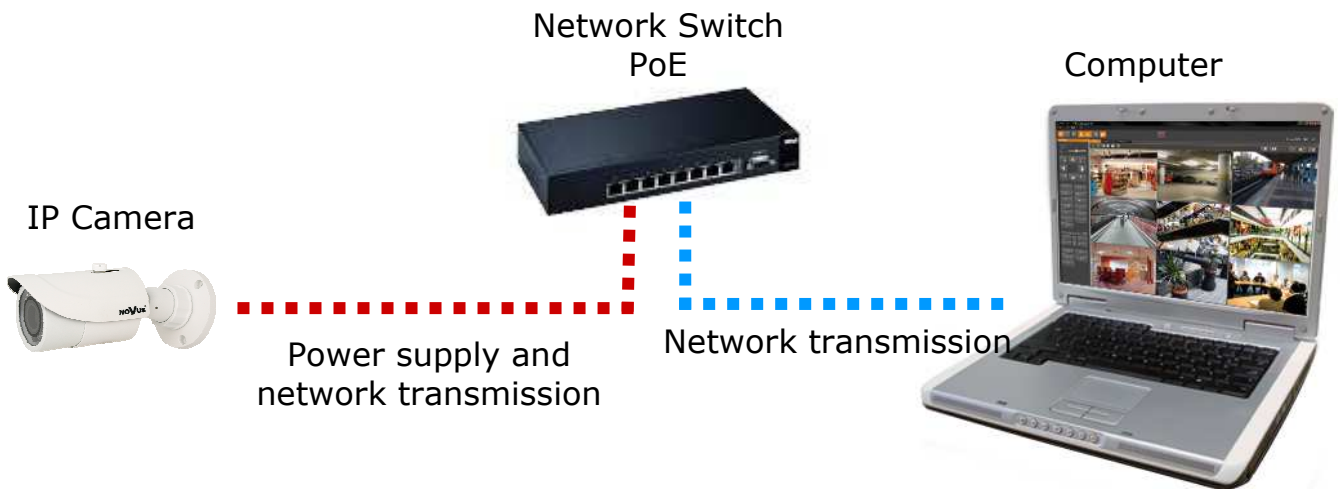
To power it up you can connect it directly via power supply adapter with parameters compatible with camera power supply specification, or camera can be powered with PoE (IEEE 802.3af ) compatible switch.

After connecting power supply it takes about 30 seconds to start camera. Then You can proceed to connect to the camera via web browser.

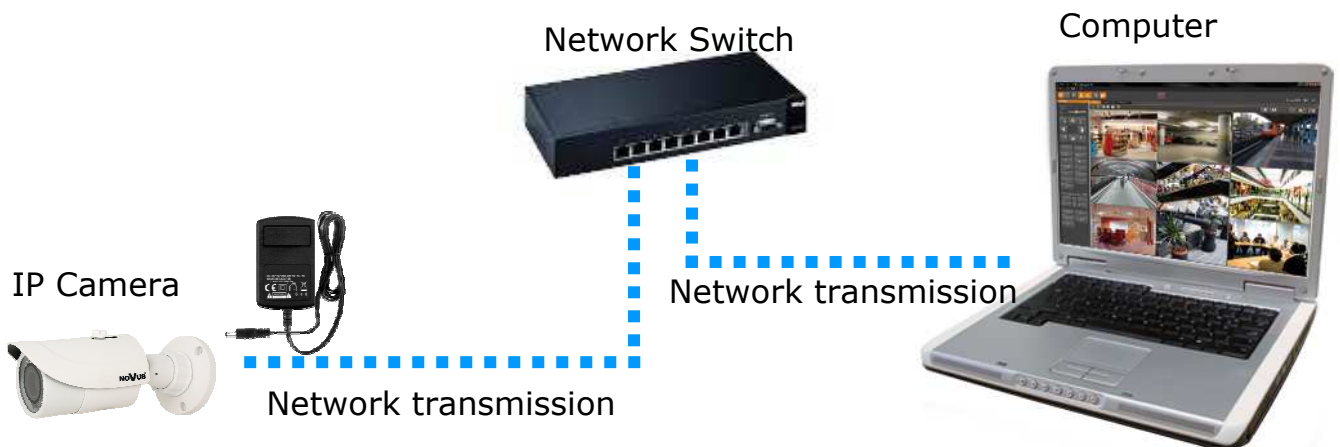
The recommended way to start an IP camera and perform its configuration is a connection directly to the network switch which is not connected to other devices. To obtain further information about network configuration parameters (IP address, gateway, network mask, etc.) please contact your network administrator.

eng

- Connection utilising network switch with PoE support



- Connection utilising external power supply and network switch

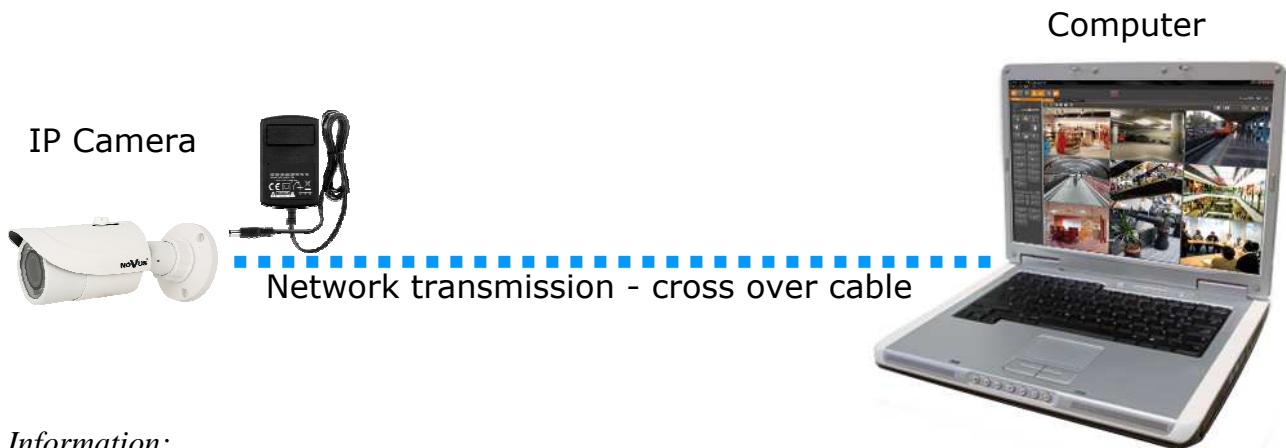


## START-UP AND INITIAL CAMERA CONFIGURATION

---

---

- Connection utilising external power supply directly to the computer



### *Information:*

*Power supply adapter is not included. Please use power adapter with parameters specified in user 's manual.*

### **Caution:**

**In order to provide protection against voltage surges/lightning strikes, usage of appropriate surge protectors is advised. Any damages resulting from surges are not eligible for service repairs.**

### **2.6. Initial configuration via the web browser**

The default network settings for NVIP-... IP camera series are :

1. IP address= **192.168.1.200**
2. Network mask - **255.255.255.0**
3. Gateway - **192.168.1.1**
4. User name - **root**
5. Password - **pass**

Knowing the camera's IP address you need to appropriately set PC IP address, so the two devices can operate in one network subnet ( e.g. for IP 192.168.1.1, appropriate address for the camera ranges from 192.168.1.2 to 192.168.1.254, for example 192.168.1.60). It is not allowed to set the same addresses for camera and PC computer

You can either set a network configuration (IP address, gateway, net mask, etc.) of NOVUS IP camera yourself or select DHCP mode (DHCP server is required in this method in target network) by using web browser or by NMS software. When you use DHCP server check IP address lease and its linking with camera MAC address to avoid changing or losing IP address during device operation or network/DHCP server breakdown. You have to remember to use a new camera IP address after changing network parameters.

After network setting configuration has been done, the camera can be connected to a target network.

## NETWORK CONNECTION UTILIZING WEB BROWSER

### 3. NETWORK CONNECTION UTILIZING WEB BROWSER

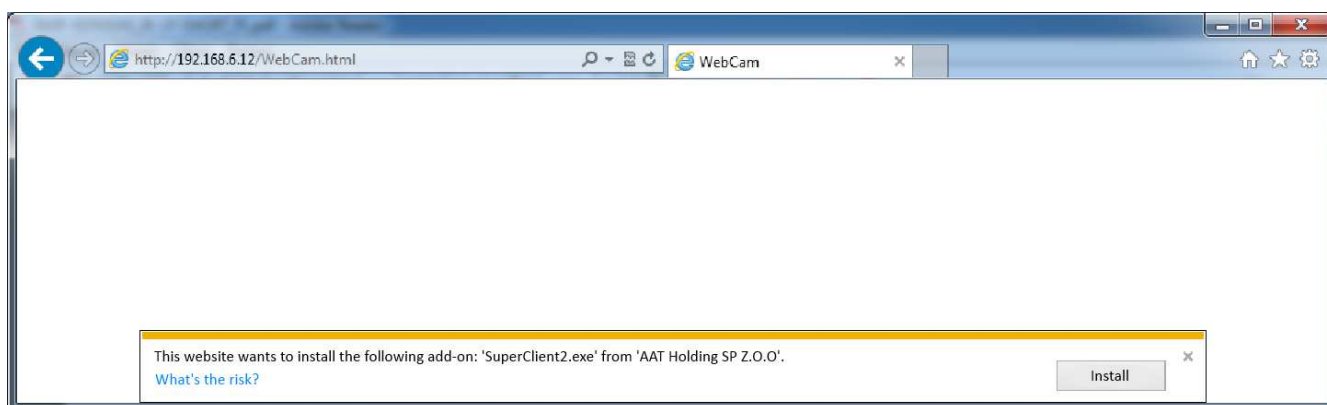
#### 3.1. Recommended PC specification for web browser connections

Requirements below apply to connection with an IP camera, assuming smooth image display in 1920x1080 resolution and 25 fps speed.

1. CPU **Intel Pentium IV 3 GHz** or newer
2. **RAM** Memory min. **512 MB**
3. VGA card (any displaying **Direct 3D with min. 128 MB RAM** memory)
4. OS **Windows XP / VISTA**
5. **Direct X** version **9.0** or newer
6. Network card **10/100/1000 Mb/s**

#### 3.2. Connection with IP camera via web browser

You have to enter camera IP address in the address bar. When you connect to the camera, web browser will download the applet for displaying images from the camera. In Internet Explorer it may be necessary to accept an ActiveX control. To do this, click the right mouse button on the message, select "Install Active X control" and then click Install. After successfully SuperClient2 plug in downloading run and install it on a computer.



## NETWORK CONNECTION UTILIZING WEB BROWSER

---

---

If the installation fails, changing security settings for the IE browser is required. In order to do that, please choose: *Tools > Internet options > Security tab > Custom level* and:

- Under *Download unsigned ActiveX controls* - select either Enable or Prompt
- Under *Initialize and script ActiveX controls not marked as safe* - select Enable or Prompt

You can also add the camera's IP address to "trusted zone" and set lowest security level for it.

eng

In addition, when working in Windows Vista/7 the ActiveX applet may be blocked by Windows Defender or User account control. In such case you should allow to run this applet, or simply disable these functions.

After successful installation login window will be displayed. Default user is **root** and default password is **pass**. For safety reasons, it is recommended to change default user name and password.

Client version: 2.1.3.8

User Name: root

Password: \*\*\*\*

Bitrate type: 1 720P 25fps

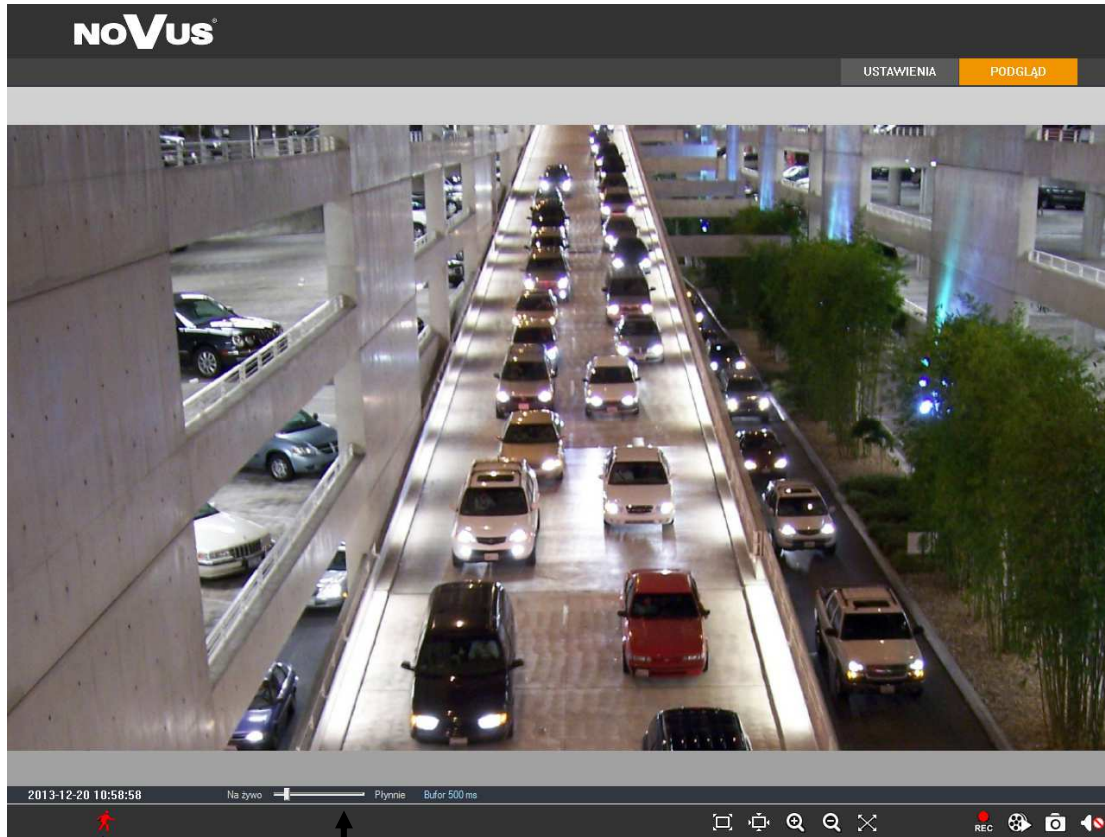
Language: English

save the password


OK Cancel


## 4. USING AND CONFIGURING

### 4.1 Remote Preview Interface



#### 1. Motion detection

 Motion detection icon changes color from white to red when motion is detected.

 Alarm icon changes color from white to red when alarm situation has occurred.


#### 2. Display fluency settings


It is possible to increase video display fluency by setting video buffer (0 ~ 4 seconds).

#### 3. Video size settings

 Fix size

 Zoom in

 Full screen

 Zoom in


 Zoom out

#### 4. Local record

 Start record

 Snap

 Playback

 Enable / disable audio

## ELECTRIC CONNECTORS AND ACCESORIES

---

---

### 5. ELECTRIC CONNECTORS AND ACCESORIES

#### 5.1. Connecting power supply to the camera.

Camera can be supplied using external power supply unit corresponding with the camera parameters or by using RJ45 network socket and PoE (802.3at Type 1 ) power supply unit.

*Information:*

*Power supply adapter is not included. Please use power adapter with parameters specified in user's manual.*

#### **Caution:**

**In order to provide protection against voltage surges/lightning strikes, usage of appropriate surge protectors is advised. Any damages resulting from surges are not eligible for service repairs.**

- **5.2. Camera control - RS-485**

Function unavailable.

eng



## RESTORING FACTORY DEFAULTS

### 6. RESTORING FACTORY DEFAULTS

NOVUS IP cameras allow to restore defaults via:

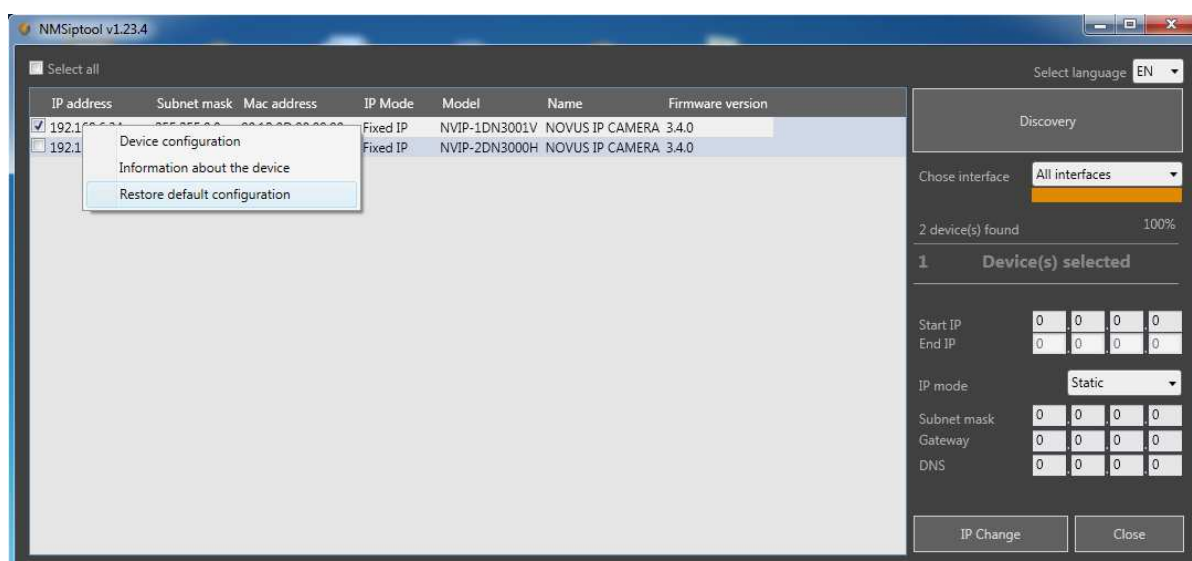
- software (web browser level)
- software (NMSiptool level)

#### 6.1. Restoring factory defaults by software means (web browser level)

User can restore default settings of the IP camera. To restore to default settings go to: “Advanced Config -> Config Backup & Restore” tab. Process of restoring takes about two minutes.

#### 6.2. Restoring factory defaults by software means (NMSiptool level)

NMSip (version 1.23.4 or later) allows to restore factory defaults. To restore settings find camera via NMSiptool, click right mouse button and choose “Restore default configuration”. Next, within 30 seconds, it is required to turn the camera power off and on.



eng

**NOVUS<sup>®</sup>**

AAT Holding sp. z o.o., ul. Puławska 431, 02-801 Warszawa, Polska  
tel.: 22 546 07 00, faks: 22 546 07 59  
[www.novuscctv.com](http://www.novuscctv.com)

2014-12-31 TŁ, MM

# instrukcja obsługi (skrótowa)

pl



NVIP-3DN3011H/IR-1P  
NVIP-3DN3012H/IR-1P

**NOVUS<sup>®</sup>**

## UWAGI I OSTRZEŻENIA

---

---

### Dyrektywy EMC (2004/108/EC) i LVD (2006/95/EC)

#### Oznakowanie CE



Nasze produkty spełniają wymagania zawarte w dyrektywach oraz przepisach krajowych wprowadzających dyrektywy:

Kompatybilność elektromagnetyczna EMC 2004/108/EC.

Niskonapięciowa LVD 2006/95/EC. Dyrektywa ma zastosowanie do sprzętu elektrycznego przeznaczonego do użytkowania przy napięciu nominalnym od 50VAC do 1000VAC oraz od 75VDC do 1500VDC.

#### Dyrektywa WEEE 2002/96/EC

##### Informacja dla użytkowników o pozbywaniu się urządzeń elektrycznych i elektronicznych



Niniejszy produkt został oznakowany zgodnie z Dyrektywą WEEE (2002/96/EC) oraz późniejszymi zmianami, dotyczącą zużytego sprzętu elektrycznego i elektronicznego. Zapewniając prawidłowe złomowanie przyczyniają się Państwo do ograniczenia ryzyka wystąpienia negatywnego wpływu produktu na środowisko i zdrowie ludzi, które mogłoby zaistnieć w przypadku niewłaściwej utylizacji urządzenia.

Symbol umieszczony na produkcie lub dołączonych do niego dokumentach oznacza, że nasz produkt nie jest klasyfikowany jako odpad z gospodarstwa domowego. Urządzenie należy oddać do odpowiedniego punktu utylizacji odpadów w celu recyklingu. Aby uzyskać dodatkowe informacje dotyczące recyklingu niniejszego produktu należy skontaktować się z przedstawicielem władz lokalnych, dostawcą usług utylizacji odpadów lub sklepem, gdzie nabyto produkt.

#### Dyrektywa RoHS 2002/95/EC

##### Informacja dla użytkowników dotycząca ograniczenia użycia substancji niebezpiecznych w sprzęcie elektrycznym i elektronicznym.



W trosce o ochronę zdrowia ludzi oraz przyjazne środowisko zapewniamy, że nasze produkty podlegające przepisom dyrektywy RoHS, dotyczącej użycia substancji niebezpiecznych w sprzęcie elektrycznym i elektronicznym, zostały zaprojektowane i wyprodukowane zgodnie z wymaganiami tej dyrektywy. Jednocześnie zapewniamy, że nasze produkty zostały przetestowane i nie zawierają substancji niebezpiecznych w ilościach mogących niekorzystnie wpływać na zdrowie człowieka lub środowisko naturalne.

#### Informacja

Urządzenie, jako element profesjonalnego systemu telewizji dozorowej służącego do nadzoru i kontroli, nie jest przeznaczone do samodzielnego montażu w gospodarstwach domowych przez osoby nie posiadające specjalistycznej wiedzy.

#### Wyłączenie odpowiedzialności w przypadku uszkodzenia danych zawartych na dysku lub innych urządzeniach:

Producent nie ponosi odpowiedzialności w razie uszkodzenia lub utraty w trakcie eksploatacji Produktu danych zawartych na dyskach lub innych urządzeniach.

#### Obowiązek konsultowania się z Producentem przed wykonaniem czynności nieprzewidzianej instrukcją obsługi albo innymi dokumentami:

Przed wykonaniem czynności, która nie jest przewidziana dla danego Produktu w instrukcji obsługi, innych dokumentach dołączonych do Produktu lub nie wynika ze zwykłego przeznaczenia Produktu, należy, pod rygorem wyłączenia odpowiedzialności Producenta za następstwa takiej czynności, skontaktować się z Producentem.

## WARUNKI BEZPIECZEŃSTWA

---

---

### **UWAGA!**

ZNAJOMOŚĆ NINIEJSZEJ INSTRUKCJI JEST NIEZBĘDNYM WARUNKIEM PRAWIDŁOWEJ EKSPLOATACJI URZĄDZENIA. PROSIMY O ZAPOZNANIE SIĘ Z NIM PRZED PRZYSTĄPIENIEM DO INSTALACJI I OBSŁUGI REJESTRATORA.

### **UWAGA!**

NIE WOLNO DOKONYWAĆ ŻADNYCH SAMODZIELNYCH NAPRAW. WSZYSTKIE NAPRAWY MOGĄ BYĆ REALIZOWANE JEDYNIEM PRZEZ WYKWALIFIKOWANYCH PRACOWNIKÓW SERWISU.

1. Przed zainstalowaniem i rozpoczęciem eksploatacji należy dokładnie zapoznać się z niniejszą instrukcją obsługi i zawartymi w niej wymogami bezpieczeństwa;
2. Uprasza się o zachowanie instrukcji na czas eksploatacji kamery na wypadek konieczności odniesienia się do zawartych w niej treści;
3. Należy skrupulatnie przestrzegać wymogów bezpieczeństwa opisanych w instrukcji, gdyż mają one bezpośredni wpływ na bezpieczeństwo użytkowników i trwałość oraz niezawodność urządzenia;
4. Wszystkie czynności wykonywane przez instalatorów i użytkowników muszą być realizowane zgodnie z opisem zawartym w instrukcji;
5. W czasie czynności konserwatorskich urządzenie musi być odłączone od zasilania;
6. Nie wolno stosować żadnych dodatkowych urządzeń lub podzespołów nie przewidzianych i nie zalecanych przez producenta;
7. Nie wolno używać kamery w środowisku o dużej wilgotności (np. w pobliżu basenów, wani, w wilgotnych piwnicach);
8. Nie należy instalować tego urządzenia w miejscu, gdzie nie można zapewnić właściwej wentylacji (np. zamknięte szafki, itp.), co powoduje zatrzymanie się ciepła i w konsekwencji może doprowadzić do uszkodzenia;
9. Nie wolno umieszczać kamery na niestabilnych powierzchniach. Kamera musi być instalowana przez wykwalifikowany personel o odpowiednich uprawnieniach według zaleceń podanych w niniejszej instrukcji;
10. Urządzenie może być zasilane jedynie ze źródeł o parametrach zgodnych ze wskazanymi przez producenta w danych technicznych serwera wideo. Dlatego też, zabrania się zasilania kamery ze źródeł o nieznanym, niestabilnym lub niezgodnym z wymaganiami określonymi przez producenta parametrach.

## SPIS TREŚCI

---

---

<b>SPIS TREŚCI</b> .....	4
<b>1. INFORMACJE WSTĘPNE</b> .....	5
1.1. Charakterystyka ogólna .....	5
1.2. Dane techniczne .....	6
1.3. Wymiary kamery .....	7
1.4. Zawartość opakowania .....	7
<b>2. URUCHAMIANIE I WSTĘPNA KONFIGURACJA KAMERY IP</b> .....	8
2.1. Opis złączy elektrycznych oraz elementów regulacyjnych .....	8
2.2. Podłączenie kabla sieciowego .....	8
2.3. Ustawienia ostrości i ogniskowej .....	9
2.4. Montaż kamery .....	10
2.5. Uruchomienie kamery IP .....	11
2.6. Konfiguracja parametrów przy użyciu przeglądarki internetowej .....	12
<b>3. POŁĄCZENIA SIECIOWE ZA POMOCĄ PRZEGLĄDARKI WWW</b> .....	13
3.1. Zalecana konfiguracja komputera PC do połączeń przez przeglądarkę WWW .....	13
3.2. Połączenie sieciowe z kamerą IP za pomocą przeglądarki WWW .....	13
<b>4. INTERFEJS WWW - PRACA Z KAMERA</b> .....	15
4.1. Widok zdalnego podglądu .....	15
<b>5. POŁĄCZENIA ELEKTRYCZNE I ZŁĄCZA AKCESORIÓW</b> .....	16
5.1. Podłączenie zasilania kamery .....	16
5.2. Sterowanie kamerą .....	16
<b>6. PRZYWRACANIE USTAWIEŃ FABRYCZNYCH KAMERY</b> .....	17
6.1. Programowe przywracanie ustawień fabrycznych kamery IP .....	17
6.2. Przywracanie ustawień fabrycznych kamery IP z poziomu NMSiptool .....	17

## INFORMACJE WSTĘPNE

---

---

### 1. INFORMACJE WSTĘPNE

#### 1.1. Charakterystyka ogólna

- Rozdzielczość przetwornika: 3.0 megapiksele
- Mechaniczny filtr podczerwieni (możliwość pracy w podczerwieni)
- Czulość od 0 lx przy włączonym oświetlaczu IR
- Szeroki zakres dynamiki (WDR) - funkcja poprawiająca jakość obrazu dla różnych poziomów oświetlenia sceny
- Cyfrowa redukcja szumu (DNR)
- Typ obiektywu:
  - standardowy,  $f=4$  mm/ $F=1.6$  (NVIP-3DN3011H/IR-1P)
  - ze zmienną ogniskową,  $f=2.8 \sim 12$  mm/ $F=1.4$  (NVIP-3DN3012H/IR-1P)
- Wbudowany oświetlacz podczerwieni:
  - 42 diod LED (NVIP-3DN3011H/IR-1P)
  - 36 diody LED (NVIP-3DN3012H/IR-1P)
- Wbudowany webserwer: kompresja i transmisja przez sieć wideo i audio w czasie rzeczywistym
- Kompresja H.264
- Rozdzielczość przetwarzania wideo: 2048 x 1536
- Możliwość definiowania kompresji, rozdzielczości, prędkości i jakości dla każdego strumienia
- Przesyłanie wideo w standardzie RTP/RTSP
- Funkcja po-alarmu - nagrywanie wideo w formacie AVI
- Funkcja harmonogramu
- Sprzętowa detekcja ruchu
- Możliwość szerokiego definiowania reakcji systemu na zdarzenia alarmowe: e-mail z załącznikiem, zapis pliku na serwer FTP
- Oprogramowanie: NMS (NOVUS MANAGEMENT SYSTEM) - do rejestracji wideo, podglądu „na żywo”, odtwarzania oraz zdalnej konfiguracji urządzeń wideo IP
- Zasilanie 12 VDC/ PoE (Power over Ethernet)

## INFORMACJE WSTĘPNE

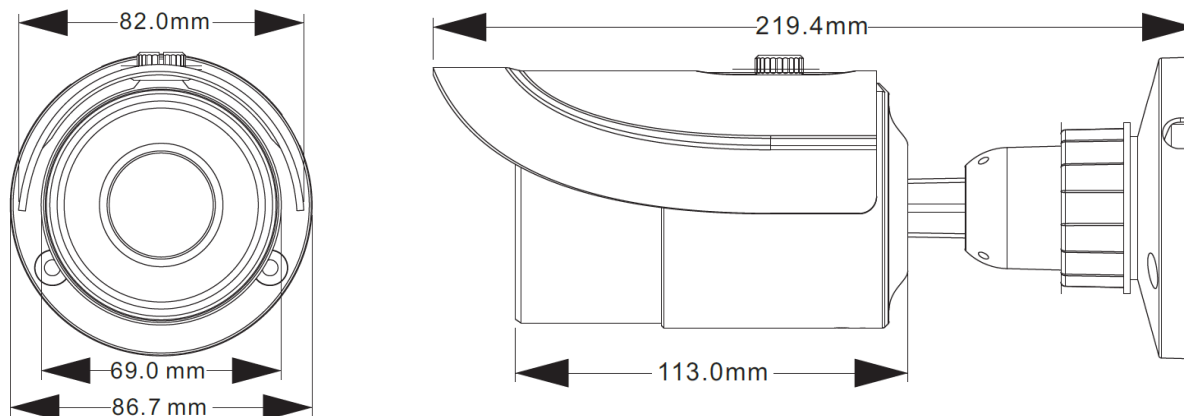
### 1.2. Dane techniczne

	NVIP-3DN3011H/IR-1P	NVIP-3DN3012H/IR-1P
<b>OBRAZ</b>		
Przetwornik obrazu	matryca CMOS, 1/3"	
Liczba efektywnych pikseli	2048 (H) x 1536 (V)	
Czułość	0.14 lx/F=1.6 – tryb kolorowy, 0 lx – IR włączony	0.19 lx/F=1.4 – tryb kolorowy, 0 lx – IR włączony
Szeroki zakres dynamiki (WDR)	tak	
Cyfrowa redukcja szumu (DNR)	tak	
<b>OBIEKTYW</b>		
Typ obiektywu	standardowy, f=4 mm/F=1.6	ze zmienną ogniskową, f=2.8 ~ 12 mm/F=1.4
Poziomy kąt widzenia obiektywu	62°	72° ~ 27°
<b>DZIEŃ/NOC</b>		
Rodzaj	mechaniczny filtr podczerwieni	
Tryb przełączania	automatyczny/manualny/czasowy	
<b>SIEĆ</b>		
Rozdzielczość strumienia wideo	2048 x 1536 (QXGA), 2304 x 1296, 1920x1080 (FullHD), 1280x720(HD), 640x480(VGA), 320x240 (QVGA)	
Prędkość przetwarzania	15 kl/s dla 2048 x 1536, 30 kl/s dla 1920 x 1080 i niższych	
Tryb wielostrumieniowy	3 strumienie	
Kompresja wideo	H.264	
Liczba jednoczesnych połączeń	maks. 10	
Przepustowość	łącznie 40 Mb/s	
Obsługiwane protokoły sieciowe	ONVIF (2.3), TCP/IP, DHCP, PPPoE, DDNS, SMTP, UPnP, RTSP, NTP	
Programy na PC	NOVUS NMS, Internet Explorer, Google Chrome, Opera, Mozilla Firefox	
<b>POZOSTAŁE FUNKCJE</b>		
Menu ekranowe	w oknie przeglądarki, języki: polski, angielski, rosyjski i inne	
Detekcja ruchu	tak	
Postalarm	5 s ~ 2 min	
Reakcja na zdarzenia alarmowe	e-mail z załącznikiem, zapis na FTP	
<b>OŚWIETLACZ IR</b>		
Liczba LED	42	36
Zasięg	25 m	20 m
Kąt świecenia	90°	
<b>INTERFEJSY</b>		
Wyjście wideo	nie	
Wejście / wyjście audio	- / -	
Wejście / wyjście alarmowe	- / -	
Interfejs sieciowy	1 x Ethernet - złącze RJ-45, 10/100 Mbit/s	
<b>PARAMETRY INSTALACYJNE</b>		
Wymiary (mm)	87 (∅) x 219 (dł)	
Masa	600 g	
Obudowa	aluminiowa, lakierowana w kolorze białym, uchwyt i osłona przeciwsłoneczna w zestawie	
Zasilanie	PoE, 12 VDC	
Pobór mocy	3,6 W, 7,2 W (IR włączony)	3,6 W, 7 W (IR włączony)
Klasa szczelności	IP 66	



## INFORMACJE WSTĘPNE

### 1.3. Wymiary kamer



### 1.4. Zawartość opakowania

Po otwarciu należy upewnić się czy w opakowaniu znajdują się następujące elementy:

- Kamera IP
- Torebka z akcesoriami montażowymi
- Skrócona instrukcja obsługi.
- Płyta CD z instrukcją obsługi i oprogramowaniem

Jeżeli którykolwiek z elementów został uszkodzony w transporcie, należy spakować zawartość z powrotem do oryginalnego opakowania i skontaktować się z dostawcą.

#### UWAGA!

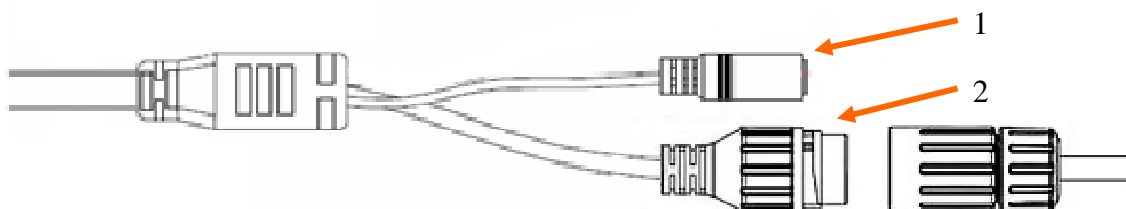
Jeżeli urządzenie przyniesione zostało z pomieszczenia o niższej temperaturze należy odczekać aż osiągnie temperaturę pomieszczenia, w którym ma pracować. Nie wolno włączać urządzenia bezpośrednio po przyniesieniu z chłodniejszego miejsca. Kondensacja zawartej w powietrzu pary wodnej może spowodować zwarcia i w konsekwencji uszkodzenie urządzenia.

Przed uruchomieniem urządzenia należy zapoznać się z opisem i rolą poszczególnych wejść, wyjść oraz elementów regulacyjnych, w które wyposażone są kamery.

## URUCHAMIANIE I WSTĘPNA KONFIGURACJA KAMERY IP

### 2. URUCHAMIANIE I WSTĘPNA KONFIGURACJA KAMERY IP

#### 2.1. Opis złączy elektrycznych oraz elementów regulacyjnych

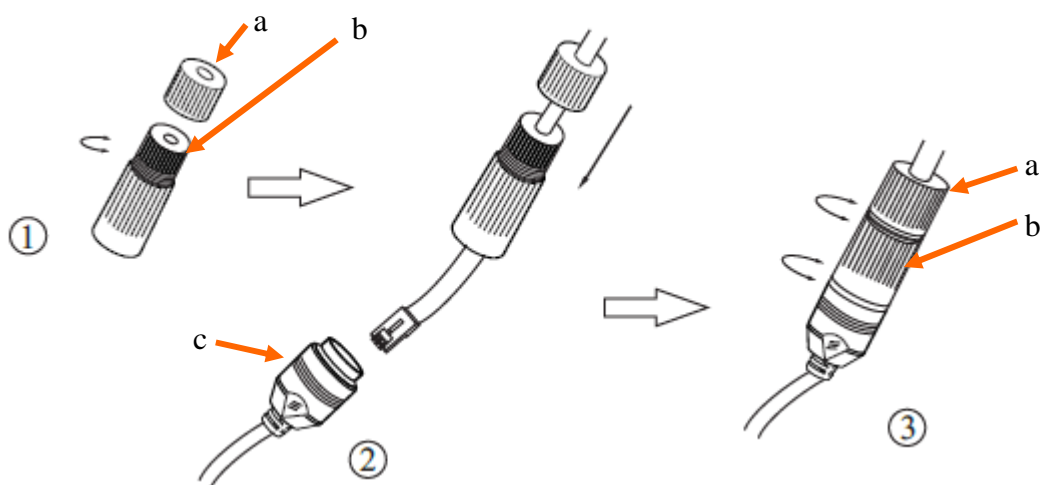


1. Złącze zasilania kamery 12VDC
2. Port Ethernet 100 MB/s (hermetyczne gniazdo RJ-45)

#### 2.2. Podłączenie kabla sieciowego

Aby zachować hermetyczność połączenia kabla sieciowego należy postępować zgodnie z poniższą instrukcją:

1. Odkręcić nakrętkę (a) od głównego elementu zabezpieczającego (b).
2. Poprowadzić kabel sieciowy (bez końcówki) przez oba elementy. Po przełożeniu kabla zacisnąć końcówkę RJ-45.
3. Podłączyć kabel do gniazda hermetycznego (c), przykręcić główną osłonę (b), a następnie nakrętkę (a).



**Uwaga!** Złącze zasilania 12VDC nie jest hermetyczne. Użytkownik powinien zapewnić szczelność gniazda zasilania we własnym zakresie.

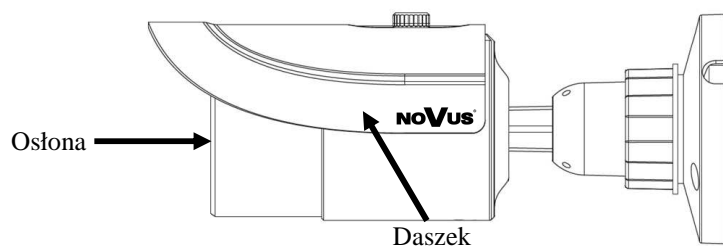
## URUCHAMIANIE I WSTĘPNA KONFIGURACJA KAMERY IP

### 2.3. Ustawienia ostrości i ogniskowej

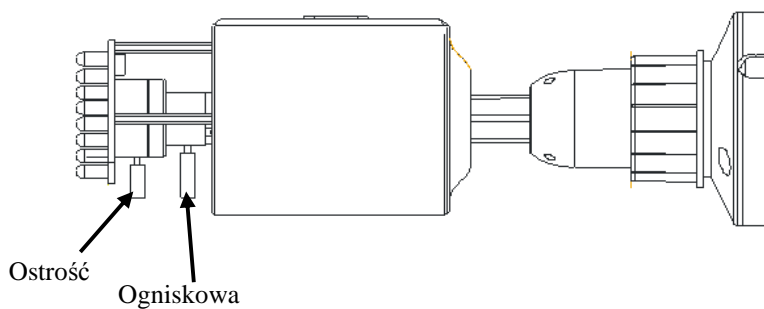
Kamera NVIP-3DN3012H/IR-1P

Aby ustawić ostrość i ogniskową należy:

1. Zdjąć daszek i odkręcić osłonę.



2. Dokonać regulacji przybliżenia i ostrości.



3. Przykręcić osłonę i założyć daszek.

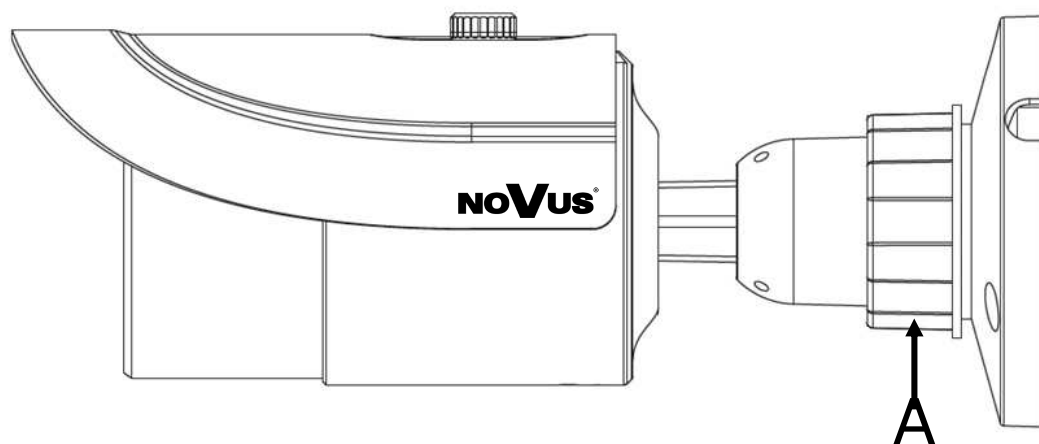
## URUCHAMIANIE I WSTĘPNA KONFIGURACJA KAMERY IP

### 2.4. Montaż kamery

W celu zamontowania kamery należy postępować zgodnie z podaną procedurą:

- Przyłożyć uchwyt kamery do ściany lub sufitu.
- Wzorując się na położeniu otworów w podstawie kamery, przy pomocy ostrego punktaka zaznaczyć punkty pod przyszłe otwory mocujące i przepust kablowy.
- Wywiercić otwory montażowe i otwór pod niezbędne przewody w miejscu podłączenia.
- Ustawić a następnie zamocować uchwyt kamery przy użyciu załączonych kołków i wkrętów.
- Poluzować nakrętkę „A”
- Dokonać regulacji położenia kamery
- Uruchomić kamerę i dokonać regulacji ogniskowej oraz ostrości odpowiednimi dźwigniami (dotyczy modelu NVIP-3DN3012H/IR-1P)
- Dokręcić nakrętkę „A”

**Uwaga!** Należy zwrócić szczególną uwagę, aby powierzchnia do której mocowany jest uchwyt i kamera miała odpowiednią nośność.



**Uwaga!** W celu zapewnienia deklarowanej szczelności należy zabezpieczyć uchwyt kamery przed wciekaniem wody do jego środka. W przypadku instalacji na nierównych/chropowatych powierzchniach, miejsce instalacji uchwyty należy dodatkowo uzupełnić masą uszczelniającą. Szczególną uwagę należy zwrócić również na otwory montażowe i jeśli są przelotowe należy je uszczelnić.

## URUCHAMIANIE I WSTĘPNA KONFIGURACJA KAMERY IP

### 2.5. Uruchomienie kamery IP

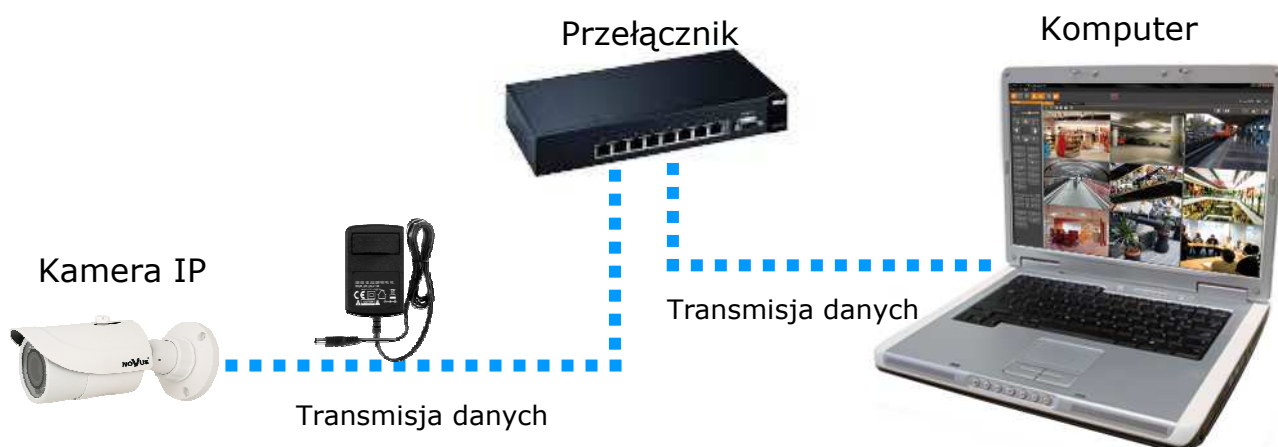
W celu uruchomienia kamery należy podłączyć kabel ethernetowy do gniazda sieciowego RJ45 kamery IP, a drugi koniec do przełącznika sieciowego. Jako źródło zasilania możliwe jest wykorzystanie zewnętrznego stabilizowanego zasilacza o parametrach spełniających wymagania kamery lub przełącznika sieciowego PoE.

Zalecaną metodą uruchomienia i konfiguracji kamery IP jest połączenie jej do komputera PC lub laptopa w wydzielonym przełączniku sieciowym, do którego nie ma podłączonych innych urządzeń. W przypadku zasilania z zewnętrznego zasilacza wystarczy zastosować dowolny przełącznik sieciowy, lub kabel podłączony bezpośrednio do komputera. W celu uzyskania danych potrzebnych do konfiguracji sieci (adres IP, brama, maska sieci itd.) należy skontaktować się z administratorem sieci, w której urządzenie ma pracować.

- Połączenie wykorzystujące przełącznik sieciowy PoE



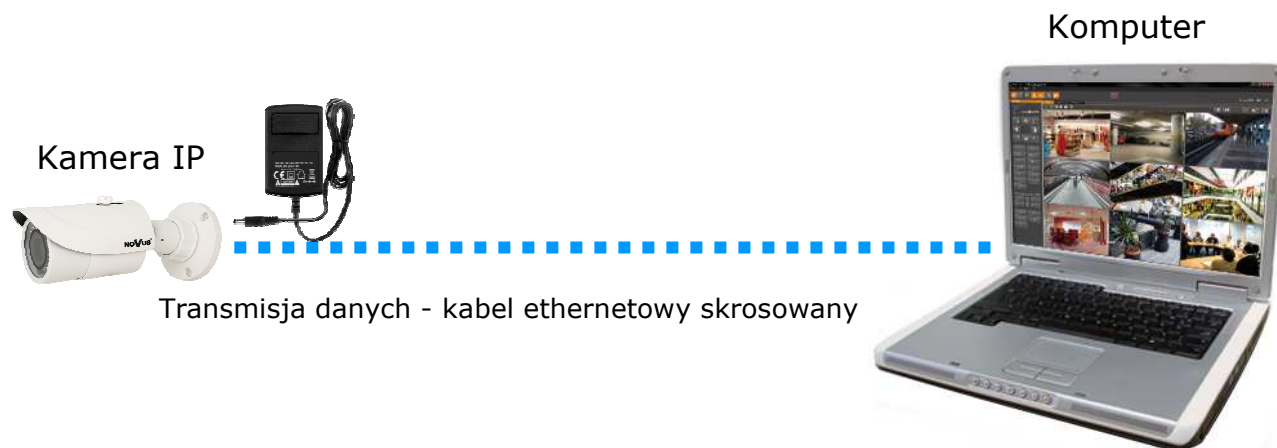
- Połączenie wykorzystujące zewnętrzne zasilanie kamery i przełącznik sieciowy



## URUCHAMIANIE I WSTĘPNA KONFIGURACJA KAMERY IP

---

- Połączenie wykorzystujące zewnętrzne zasilanie kamery i kabel ethernetowy



### Informacja:

Zasilacz zewnętrzny nie wchodzi w skład zestawu, należy się w niego zaopatrzyć we własnym zakresie.

### UWAGA:

W celu ochrony kamery przed uszkodzeniem zalecane jest zastosowanie zabezpieczeń przepięciowych. Awarie powstałe w wyniku przepięć nie podlegają naprawie gwarancyjnej.

### 2.6. Konfiguracja parametrów przy użyciu przeglądarki internetowej

Konfigurację sieciową kamery można przeprowadzić przy pomocy przeglądarki internetowej.

Domyślne ustawienia sieciowe dla kamer IP serii NVIP-.... to :

1. Adres IP = **192.168.1.200**
2. Maska sieci - **255.255.255.0**
3. Brama - **192.168.1.1**
4. Nazwa użytkownika - **root**
5. Hasło - **pass**

Znając adres IP kamery należy ustawić adres IP komputera w taki sposób aby oba urządzenia pracowały w jednej podsieci (dla adresu IP kamery 192.168.1.200 jako adres IP komputera PC możemy ustawić adres z zakresu 192.168.1.0 - 192.168.1.254, np.: 192.168.1.60). Niedopuszczalne jest ustawianie adresu komputera takiego samego jak adres kamery.

Wykorzystując połączenie przez przeglądarkę internetową Internet Explorer lub oprogramowanie NMS należy ustawić docelową konfigurację sieciową (adres IP, maskę sieci, bramę, serwery DNS) lub włączyć tryb pracy DHCP pozwalający na pobranie adresu IP z serwera DHCP (wymagany jest wówczas działający serwer DHCP). W przypadku korzystania z serwera DHCP należy upewnić się co do długości okresu dzierżawy adresu IP, jego powiązania z adresem MAC kamery IP w celu uniknięcia zmiany lub utraty adresu IP w czasie pracy urządzenia lub chwilowej awarii sieci / serwera DHCP. Należy pamiętać że po zmianie adresu IP kamera zostanie zresetowana i trzeba wpisać nowy adres w przeglądarce internetowej. Po konfiguracji ustawień sieciowych pozwalających na bezkonfliktową pracę urządzenia, kamerę IP możemy podłączyć do sieci docelowej.

## POŁĄCZENIA SIECIOWE ZA POMOCĄ PRZEGLĄDARKI WWW

### 3 POŁĄCZENIA SIECIOWE ZA POMOCĄ PRZEGLĄDARKI WWW

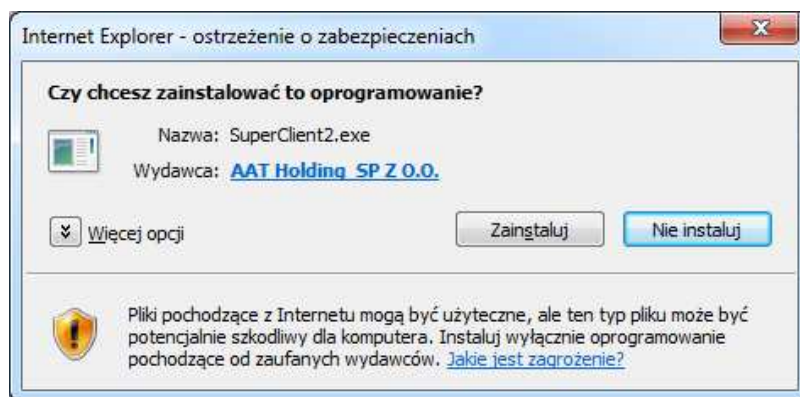
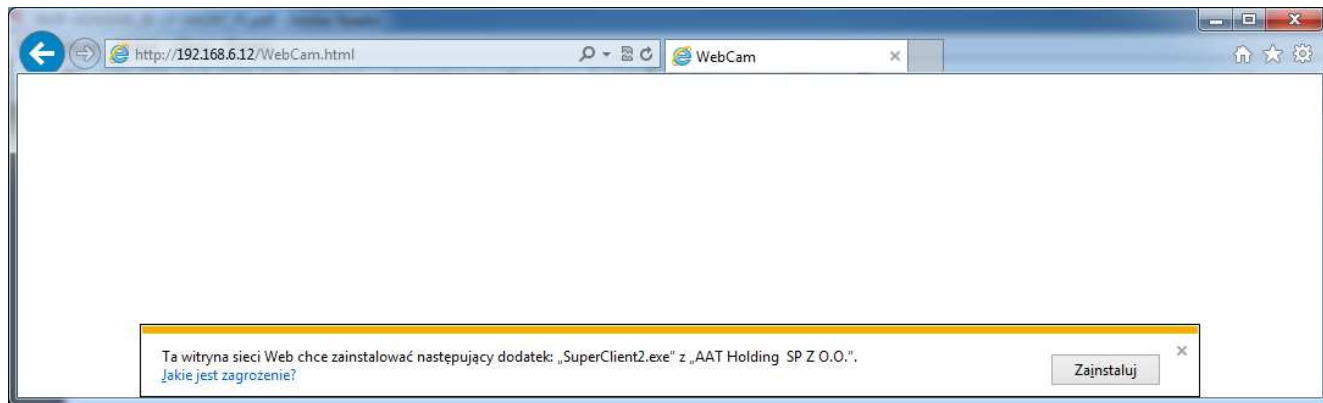
#### 3.1. Zalecana konfiguracja komputera PC do połączeń przez przeglądarkę WWW

Poniższe wymagania dotyczą połączenia z kamerą IP przy założeniu płynnego wyświetlania obrazu wideo w rozdzielczości 1920x1080 dla 25kl/s.

1. Procesor **Intel Pentium IV 3 GHz** lub wyższy
2. Pamięć **RAM min. 512 MB**
3. Karta grafiki (dowolna obsługująca wyświetlanie **Direct 3D z min. 128MB pamięci RAM**)
4. System operacyjny **Windows XP / VISTA/ Windows 7**
5. **Direct X** w wersji **9.0** lub wyższej
6. Karta sieciowa **10/100/1000 Mb/s**

#### 3.2. Połączenie sieciowe z kamerą IP za pomocą przeglądarki WWW

W pasku adresu przeglądarki WWW należy wpisać adres IP kamery. Jeśli podany adres jest prawidłowy i docelowe urządzenie jest w danej chwili osiągalne, przed pierwszym logowaniem należy zaakceptować i zainstalować dodatek SuperClient2.



## POŁĄCZENIA SIECIOWE ZA POMOCĄ PRZEGLĄDARKI WWW

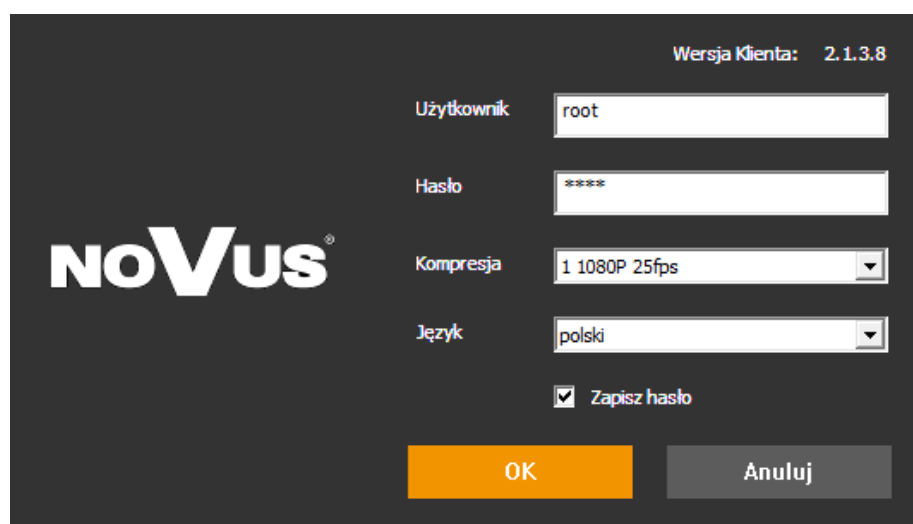
Jeżeli dla przeglądarki Internet Explorer instalacja przeprowadzona w ten sposób się nie powiedzie należy zmienić ustawienia zabezpieczeń przeglądarki. Aby to zrobić należy w przeglądarce Internet Explorer wybrać: *Narzędzia > Opcje internetowe > Zabezpieczenia > Poziom niestandardowy* i następnie zmienić:

- Pobieranie niepodpisanych formantów ActiveX - należy ustawić Włącz lub Monituj
- Inicjowanie i wykonywanie skryptów formantów ActiveX niezaznaczonych jako bezpieczne do wykonywania - należy ustawić Włącz lub Monituj

Można również dodać adres IP kamer do strefy *Zaufane witryny* i ustawić dla tej strefy niski poziom zabezpieczeń.

Dodatkowo w przypadku pracy w systemie Windows Vista i 7 możliwe jest zablokowanie apletu ActiveX przez Windows Defender i Kontrolę konta użytkownika. W takim przypadku należy zezwolić na uruchamianie dodatku lub po prostu wyłączyć działanie blokujących aplikacji.

Po zainstalowaniu dodatku możliwe będzie zalogowanie się do kamery. Domyślny użytkownik to **root**, a hasło **pass**. Ze względów bezpieczeństwa zaleca się zmianę domyślnych wartości. Nową nazwę użytkownika i hasło należy zapamiętać lub zapisać w bezpiecznym miejscu.



Wersja Klienta: 2.1.3.8

Użytkownik: root

Hasło: \*\*\*\*

Kompresja: 1 1080P 25fps

Język: polski

Zapisz hasło

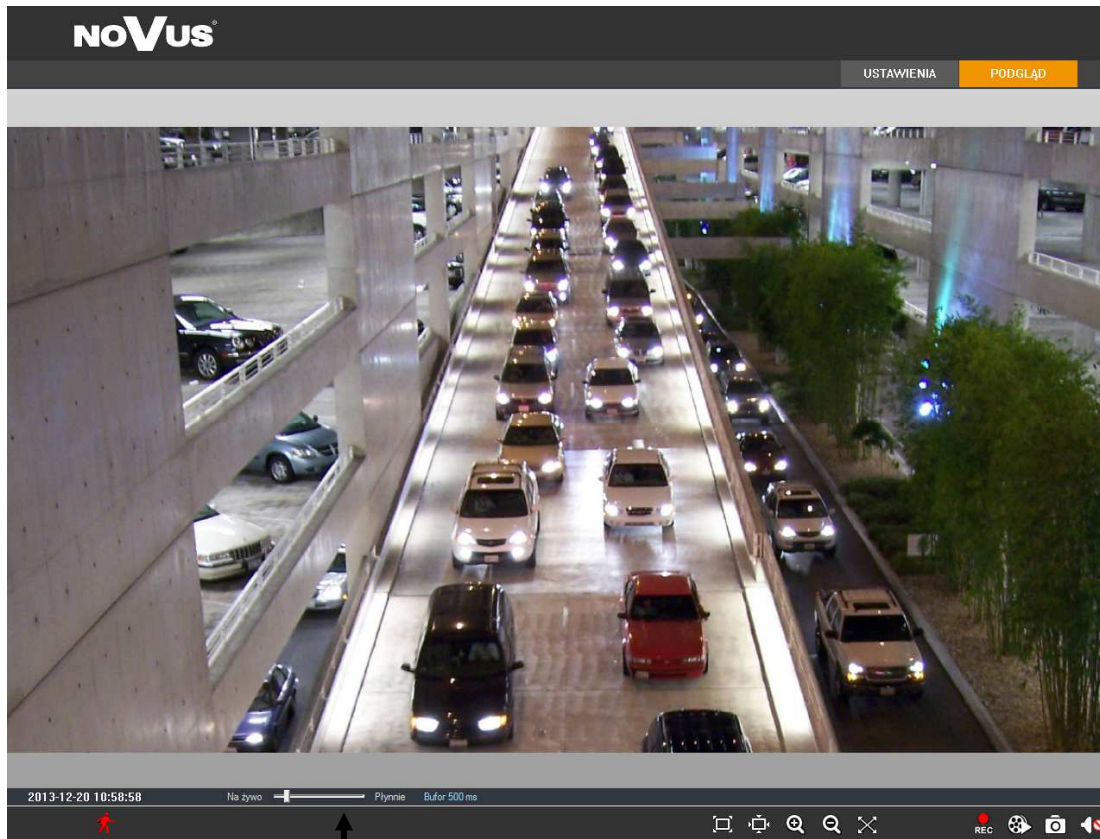
OK Anuluj



## INTERFEJS WWW - PRACA Z KAMERA

### 4. INTERFEJS WWW - PRACA Z KAMERA

#### 4.1. Widok zdalnego podglądu



#### 1. Detekcja ruchu

Po wykryciu ruchu ikona zmienia kolor z białego na czerwony.

#### 2. Ustawienia płynności wyświetlania

Aby uzyskać płynny podgląd obrazu przy połączeniu sieciowym słabej jakości można ustawić bufor obrazu w zakresie 0-4s.

#### 3. Ustawienia rozmiaru obrazu



Dopasuj rozmiar



Przybliż



Pełny ekran



Aktualny rozmiar



Oddal

#### 4. Lokalne nagrywanie



Rozpocznij nagrywanie



Zrób zdjęcie



Odtwarzanie



Włącz / wyłącz audio

## POŁĄCZENIA ELEKTRYCZNE I ZŁĄCZA AKCESORIÓW

---

---

### 5. POŁĄCZENIA ELEKTRYCZNE I ZŁĄCZA AKCESORIÓW

#### 5.1. Podłączenie zasilania kamery

Kamera może być zasilana przez zewnętrzny zasilacz o parametrach zgodnych z zasilaniem kamery lub przez gniazdo sieciowe RJ45 przy wykorzystaniu technologii PoE (IEEE 802.3af). Do zasilenia kamery poprzez PoE należy użyć przełącznika sieciowego lub zasilacza PoE zgodnego ze standardem IEEE 802.3af.

*Informacja:*

*Zasilacz zewnętrzny nie wchodzi w skład zestawu, należy się w niego zaopatrzyć we własnym zakresie.*

#### **UWAGA:**

**W celu ochrony kamery przed uszkodzeniem zalecane jest zastosowanie zabezpieczeń przepięciowych. Awarie powstałe w wyniku przepięć nie podlegają naprawie gwarancyjnej.**

#### 5.2. Sterowanie kamerą - RS-485

Funkcja niedostępna.

## PRZYWRACANIE USTAWIENÍ FABRYCZNYCH KAMERY

### 6. PRZYWRACANIE USTAWIENÍ FABRYCZNYCH KAMERY

Kamery IP firmy NOVUS umożliwiają resetowanie ustawień:

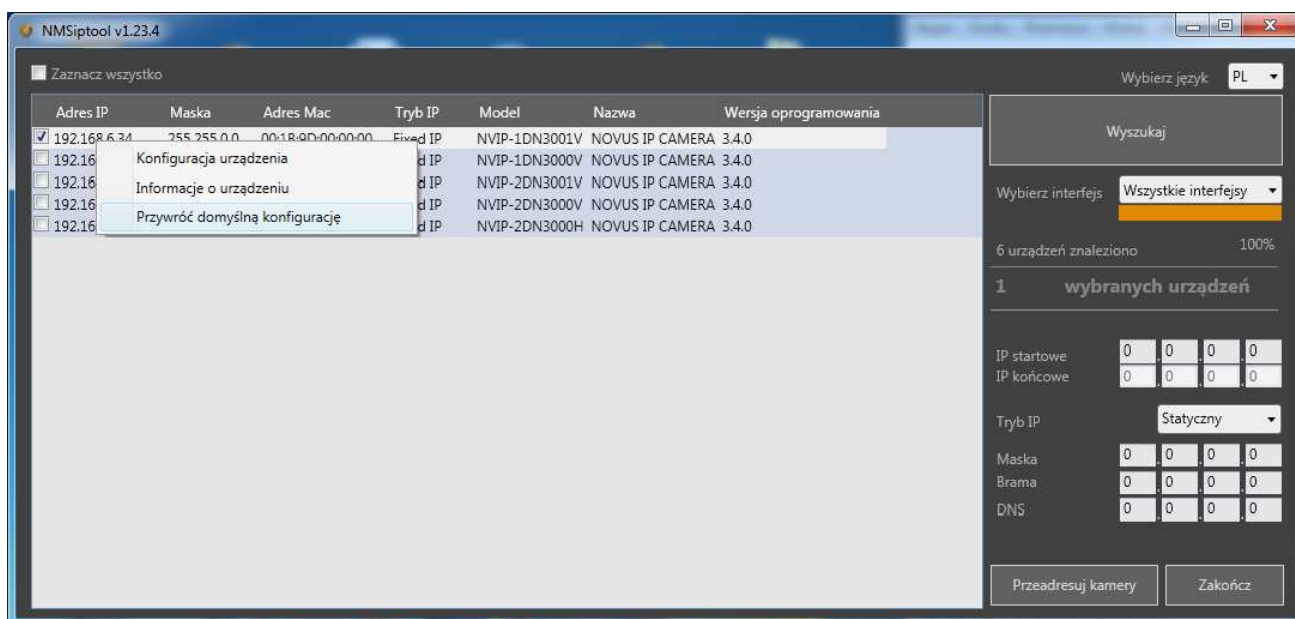
- programowo (z poziomu przeglądarki)
- sprzętowo (przy użyciu przycisku reset)

#### 6.1. Programowe przywracanie ustawień fabrycznych kamery IP

Przywracanie ustawień fabrycznych kamery IP powoduje przywrócenie wszystkich domyślnych ustawień kamery. Kamera zostanie ponownie uruchomiona po ok. 30 sekundach. Opcja do programowego przywrócenia ustawień fabrycznych znajduje się w zakładce „Kopia zapasowana, ustawienia fabryczne”.

#### 6.2. Programowe przywracanie ustawień fabrycznych kamery IP z poziomu programu NMSiptool

Za pomocą programu NMSiptool (wersja 1.23.4 lub wyższa) użytkownik może przywrócić ustawienia fabryczne, poprzez wybranie kamery, kliknięcie prawym przyciskiem myszy i wybranie opcji „Przywróć domyślną konfigurację”. Następnie wymagane jest odłączenie kamery z zasilania i ponowne podłączenie (w ciągu 30 sekund od momentu wybrania opcji „Przywróć domyślną konfigurację”).



**NOVUS<sup>®</sup>**

AAT Holding sp. z o.o., ul. Puławska 431, 02-801 Warszawa, Polska  
tel.: 22 546 07 00, faks: 22 546 07 59  
[www.novuscctv.com](http://www.novuscctv.com)

2014-12-30 TŁ, MM